



Mini PLC-Microcontroller application module VM142



Includes stylish enclosure

This application module seems small but is big in performance, all depends on your programming skills. Now you can create your own custom application without the hassle of making the hardware. All the buffered inputs and outputs are ready made for you, the module features on-board LED, a relay output and a buzzer.



Make your own automation, controller, car application... All you need is one of our programmers like VM134 or K8076.



In-Circuit Programming is also possible, making development even easier.



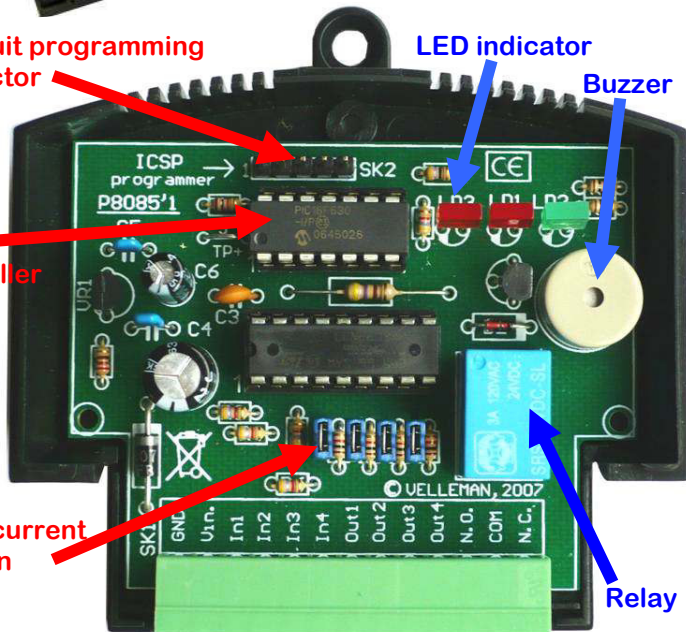
In-Circuit programming connector

LED indicator

Buzzer

PIC μ Controller

Output current selection



Features

- 9 free programmable I/O's (4 in-, 5 outputs)
- PIC16F630 Microcontroller from Microchip® onboard
- LED indication for power supply and relay output
- 1 free programmable LED indication.
- Onboard mini buzzer for audible signals.
- Onboard ICSP™ connector for programming.
- PIC™ programmer support PIC16F630

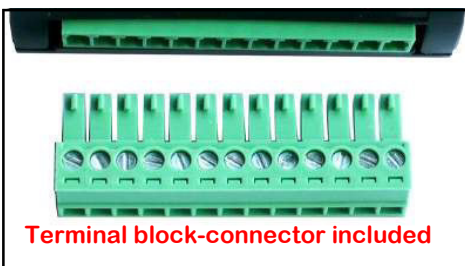
* software development tools like assembler or C are not included.

Specifications

- Power supply: 12V DC (unregulated) / 100mA.
- 4 inputs (voltage sensing inputs).
Input signal voltage: 5 – 24VDC, @ 4K7.
- 4 NPN transistor outputs (open-collector, sink outputs).
Transistor output current: max. 100mA each.
Direct 12V relay drive possible (no need for protection diode)
- 1 Relay output with NO/NC contact (2A).
- MCU speed: fixed 4MHz internal oscillator.
- Dimensions: 80x70x25mm / 3,15 x 2,75 x 0,98"

4 inputs for voltage sensing
5 to 24Vdc

4 Outputs + 1 relay
Direct LED drive.
Or open collector selection



Terminal block-connector included