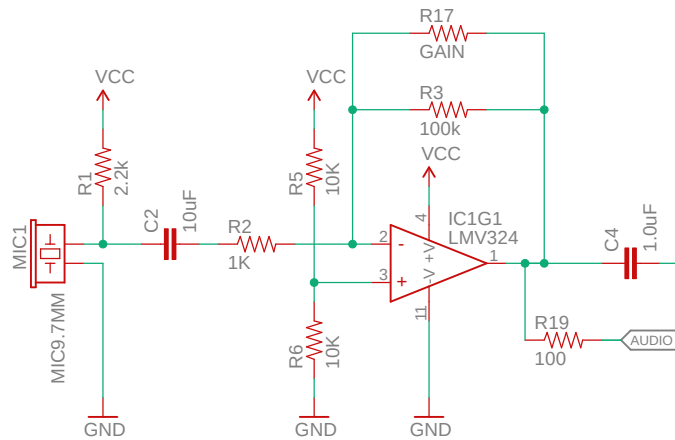


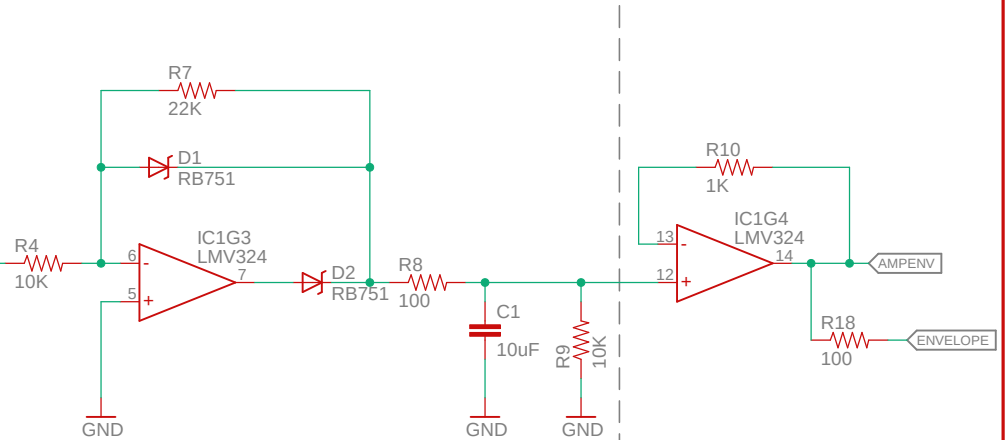
### Mic capsule and preamplifier

Default gain = 100 (40 dB)  
 Populate R17 to lower gain.  
 10K = 10 (20 dB)  
 Remove R3 and populate R17 to raise gain.  
 1Meg = 1000 (60 dB)

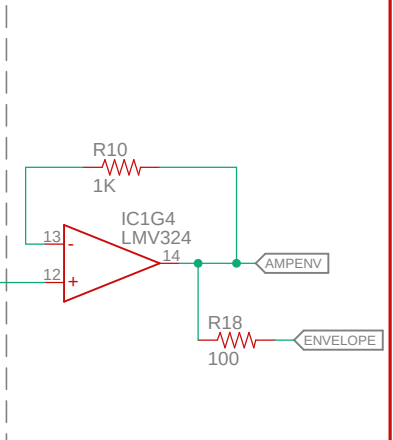


### Peak detector

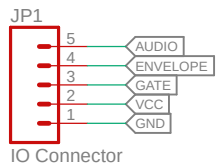
Half-wave precision rectifier with gain of approx 2



### Buffer amplifier



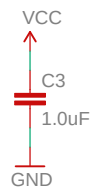
### I/O connector



IO Connector

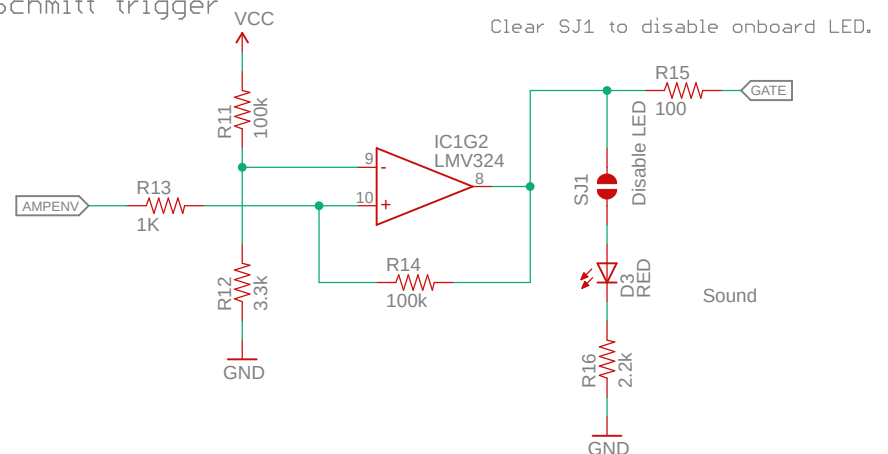
Vcc range between 2.7V and 5.5V.

### Decoupling



Supply decoupling - place near U1

### Schmitt trigger



Released under the Creative Commons Attribution Share-Alike 3.0 License  
<http://creativecommons.org/licenses/by-sa/3.0>



TITLE: sound-detector-v11

Design by: Byron Jacquot

REV: V11



open hardware

Date: 7/21/2017 1:30 PM

Sheet: 1/1