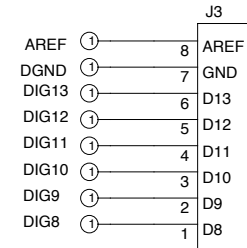
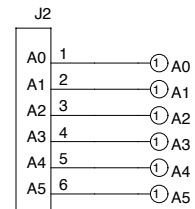
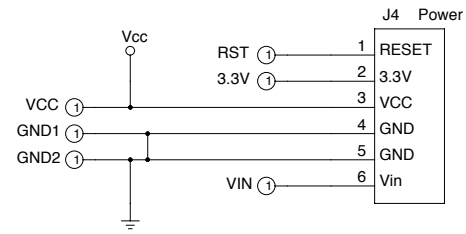
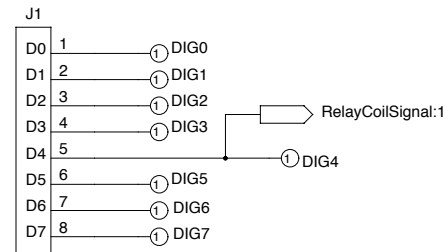
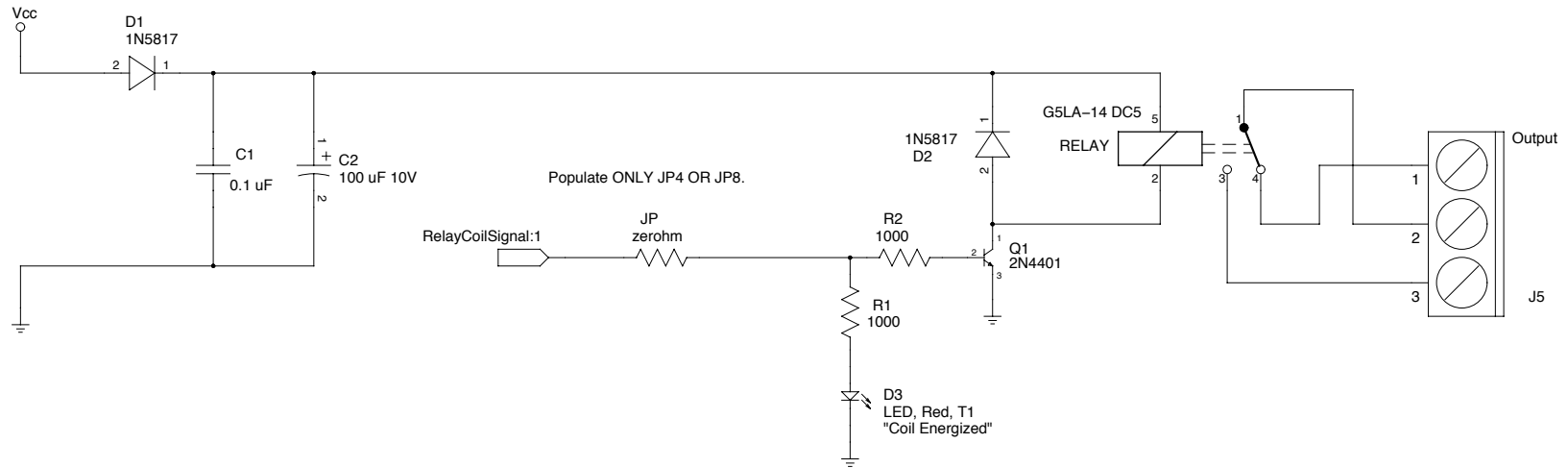


D1: Secondary protection for host board



Copyright 2014, Windell H. Oskay/Evil Mad Science LLC
 Distributed under the TAPR Open Hardware License
www.tapr.org/OHL

An Open-Source Design by
 Evil Mad Scientist Laboratories
www.evilmadscientist.com

TITLE	Evil Mad Scientist Simple Relay Shield for Arduino	
FILE:	1 OF 1	REVISION: B, April 2014
PAGE	1 OF 1	DRAWN BY: Windell H. Oskay