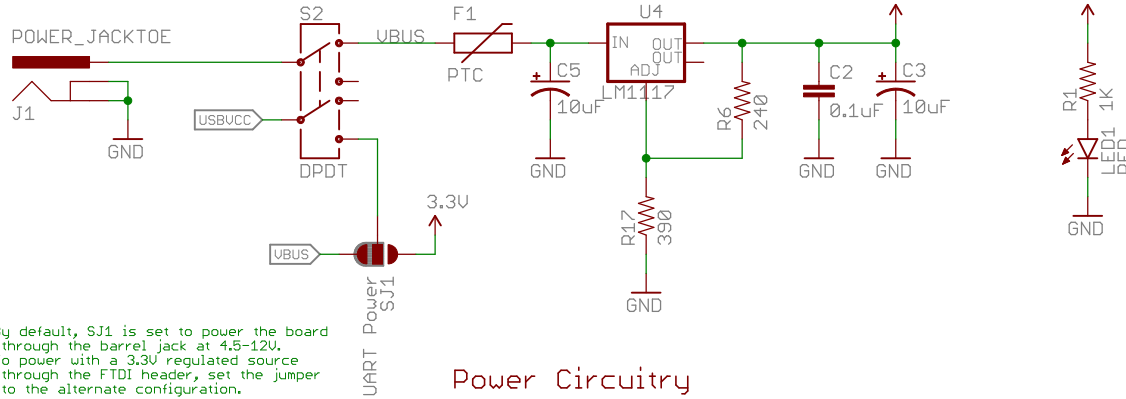
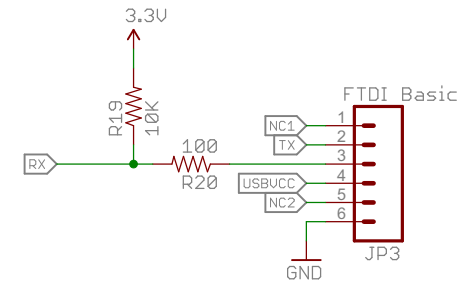


Input voltage: 4.5-12VDC



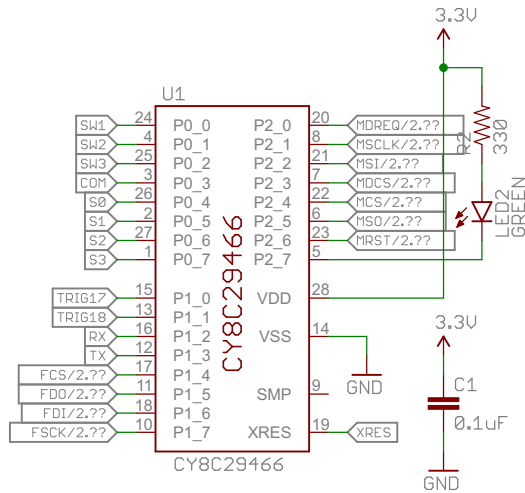
By default, SJ1 is set to power the board through the barrel jack at 4.5-12V. To power with a 3.3V regulated source through the FTDI header, set the jumper to the alternate configuration.

Power Circuitry

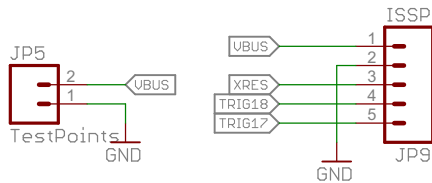
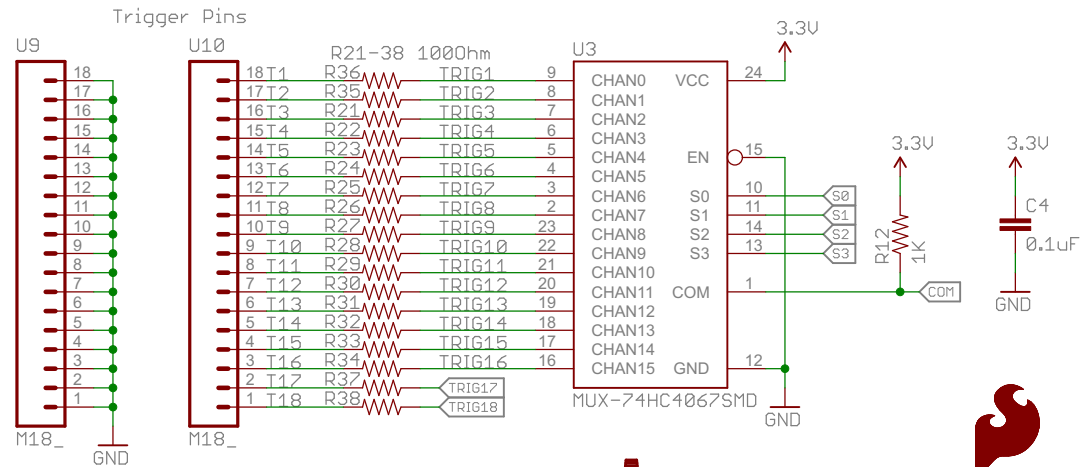


FTDI Basic Port

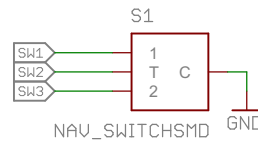
Cypress PSoC CY8C29466



Trigger Circuitry



Programming and Testing



Navigation Switch

Released under the Creative Commons Attribution Share-Alike 4.0 License  
<https://creativecommons.org/licenses/by-sa/4.0/>



TITLE: mp3-trigger-v24

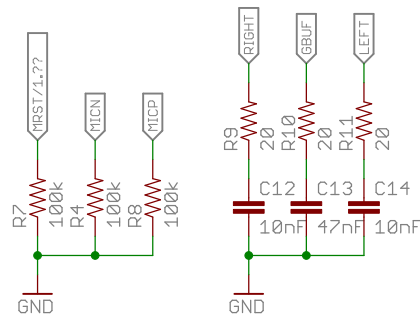
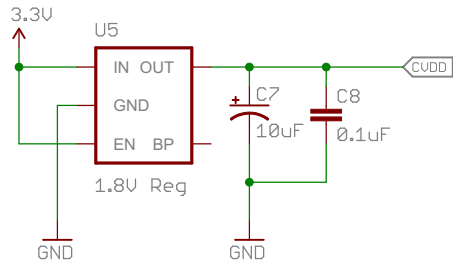
Design by Jamie Robertson  
 Revision by: Joel Bartlett

REV:  
 U24

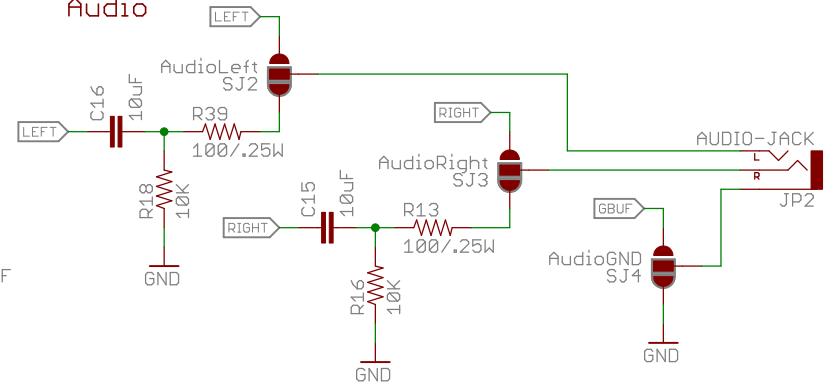
Date: 11/4/2015 10:36:52 AM

Sheet: 1/2

### 1.8V Regulator

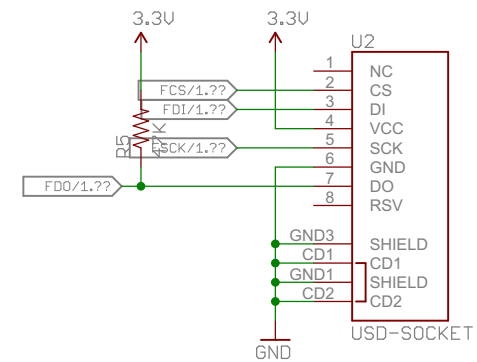
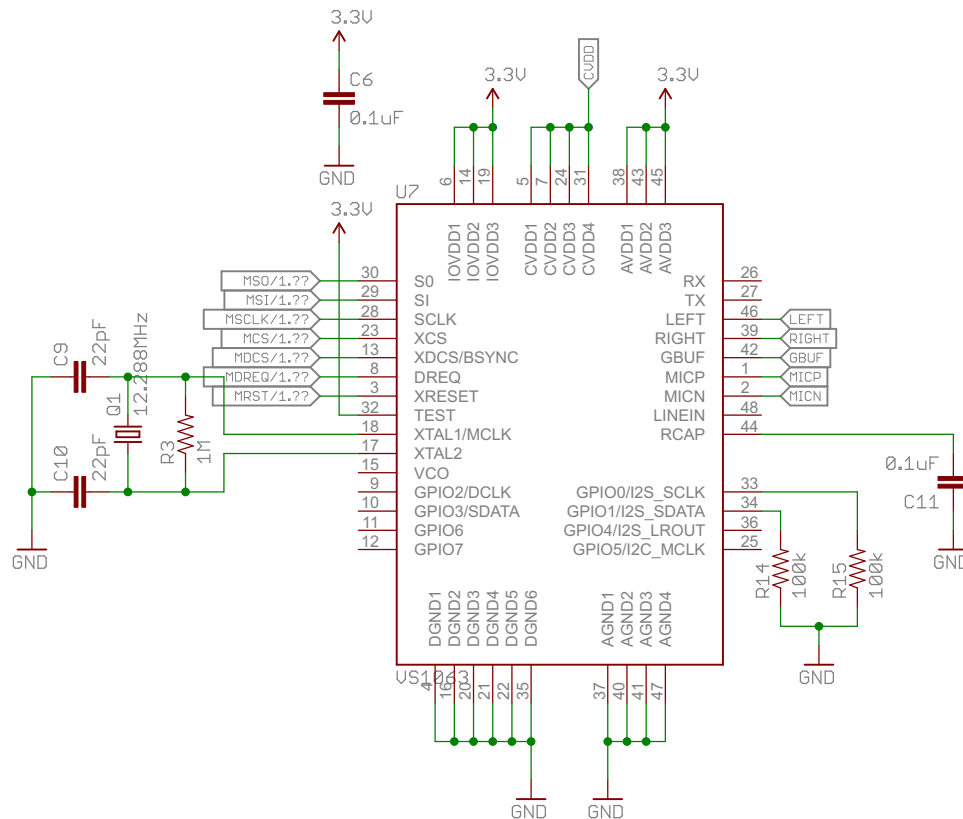


### Audio



Each of these audio jumpers adds proper AC coupling to the audio output that will prevent problems when connecting to audio equipment. To revert back to the original audio design before U24, solder all three jumpers to the opposite configuration.

### VLSI US1063 audio codec IC



microSD Socket

Released under the Creative Commons Attribution Share-Alike 4.0 License  
<https://creativecommons.org/licenses/by-sa/4.0/>

TITLE: mp3-trigger-v24

Design by Jamie Robertson

Revision by Nigel Bartlett

REV:  
U24

Date: 11/4/2015 10:36:52 AM

Sheet: 2/2