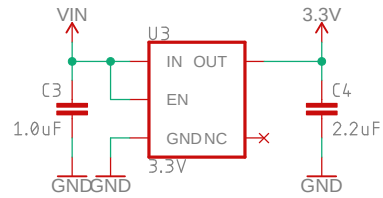
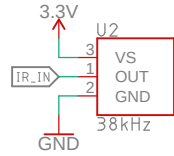


Voltage Regulator

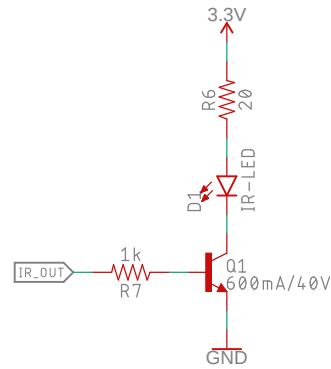
VIN: 2.5V-6.0V



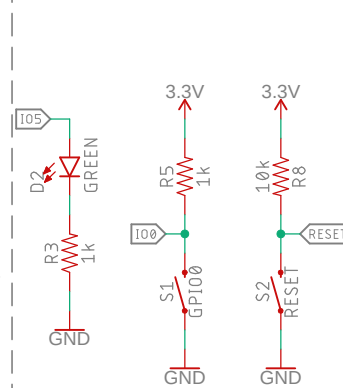
IR Receiver -- 38kHz



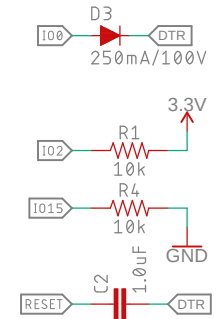
IR Emitter



Boot Mode/Buttons

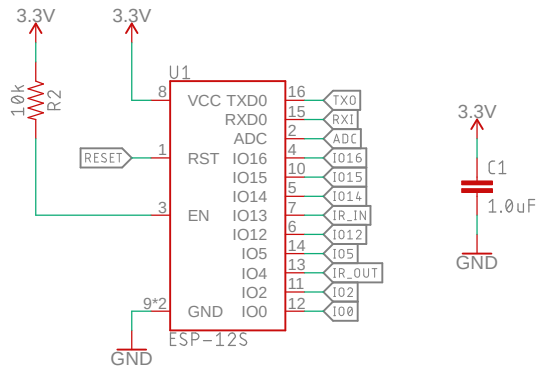


Boot Mode Default-Select

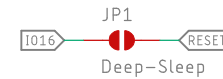


ESP-12S

VCC Range: 3.0-3.6V

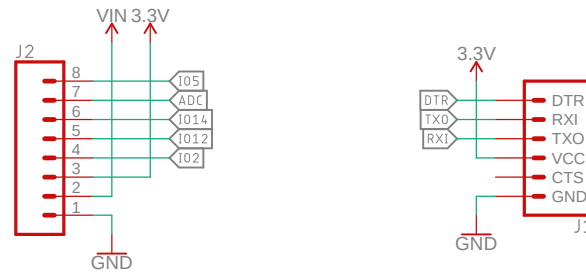


Deep Sleep Jumper



Close JP1 to enable deep sleep on the ESP8266

Headers



Released under the Creative Commons Attribution Share-Alike 4.0 License
<https://creativecommons.org/licenses/by-sa/4.0/>

TITLE: esp8266_ir_blaster

Design by: Jim Lindblom
 Revision By: Andy England

REV: v10

Date: 11/30/2018 4:46 PM

Sheet: 1/1

