

Y23 Range Transformers - 15VA-1000VA

Y23 Range Transformer Specifications - 15VA

Load (VA)	Secondary Voltage (V)	Secondary Current (A)	Regulation (Typical)	Diameter (mm/inches)	Height (mm/inches)	Weight (Kg/Pounds)	Temperature Rise (° C)	AVEL P/N
15	6 + 6	1.25	13.7	60 / 2.4	28 / 1.1	0.3 / .7	26	Y236000
15	9 + 9	0.83	13.7	60 / 2.4	28 / 1.1	0.3 / .7	26	Y236001
15	12 + 12	0.63	13.7	60 / 2.4	28 / 1.1	0.3 / .7	26	Y236002
15	15 + 15	0.50	13.7	60 / 2.4	28 / 1.1	0.3 / .7	26	Y236003
15	18 + 18	0.42	13.7	60 / 2.4	28 / 1.1	0.3 / .7	26	Y236004
15	22 + 22	0.34	13.7	60 / 2.4	28 / 1.1	0.3 / .7	26	Y236005
15	25 + 25	0.30	13.7	60 / 2.4	28 / 1.1	0.3 / .7	26	Y236006
15	30 + 30	0.25	13.7	60 / 2.4	28 / 1.1	0.3 / .7	26	Y236007

Y23 Range Transformer Specifications - 30VA

Load (VA)	Secondary Voltage (V)	Secondary Current (A)	Regulation (Typical)	Diameter (mm/inches)	Height (mm/inches)	Weight (Kg/Pounds)	Temperature Rise (° C)	AVEL P/N
30	6 + 6	2.50	13.7	67 / 2.6	28 / 1.1	0.4 / .88	43	Y236100
30	9 + 9	1.67	13.7	67 / 2.6	28 / 1.1	0.4 / .88	43	Y236101
30	12 + 12	1.25	13.7	67 / 2.6	28 / 1.1	0.4 / .88	43	Y236102
30	15 + 15	1.00	13.7	67 / 2.6	28 / 1.1	0.4 / .88	43	Y236103
30	18 + 18	0.83	13.7	67 / 2.6	28 / 1.1	0.4 / .88	43	Y236104
30	22 + 22	0.68	13.7	67 / 2.6	28 / 1.1	0.4 / .88	43	Y236105
30	25 + 25	0.60	13.7	67 / 2.6	28 / 1.1	0.4 / .88	43	Y236106
30	30 + 30	0.50	13.7	67 / 2.6	28 / 1.1	0.4 / .88	43	Y236107

Y23 Range Transformer Specifications - 50VA

Load (VA)	Secondary Voltage (V)	Secondary Current (A)	Regulation (Typical)	Diameter (mm/inches)	Height (mm/inches)	Weight (Kg/Pounds)	Temperature Rise (° C)	AVEL P/N
50	6 + 6	4.17	11.8	76 / 3.0	30 / 1.2	0.6 / 1.3	48	Y236200
50	9 + 9	2.78	11.8	76 / 3.0	30 / 1.2	0.6 / 1.3	48	Y236201
50	12 + 12	2.08	11.8	76 / 3.0	30 / 1.2	0.6 / 1.3	48	Y236202
50	15 + 15	1.67	11.8	76 / 3.0	30 / 1.2	0.6 / 1.3	48	Y236203
50	18 + 18	1.39	11.8	76 / 3.0	30 / 1.2	0.6 / 1.3	48	Y236204
50	22 + 22	1.14	11.8	76 / 3.0	30 / 1.2	0.6 / 1.3	48	Y236205
50	25 + 25	1.00	11.8	76 / 3.0	30 / 1.2	0.6 / 1.3	48	Y236206
50	30 + 30	0.83	11.8	76 / 3.0	30 / 1.2	0.6 / 1.3	48	Y236207
50	55 + 55	0.45	11.8	76 / 3.0	30 / 1.2	0.6 / 1.3	48	Y236208

Y23 Range Transformer Specifications - 63VA

Load (VA)	Secondary Voltage (V)	Secondary Current (A)	Regulation (Typical)	Diameter (mm/inches)	Height (mm/inches)	Weight (Kg/Pounds)	Temperature Rise (° C)	AVEL P/N
63	9 + 9	3.50	11.1	85 / 3.4	30 / 1.2	0.7 / 1.6	48	Y236300
63	12 + 12	2.63	11.1	85 / 3.4	30 / 1.2	0.7 / 1.6	48	Y236301
63	15 + 15	2.10	11.1	85 / 3.4	30 / 1.2	0.7 / 1.6	48	Y236302
63	18 + 18	1.75	11.1	85 / 3.4	30 / 1.2	0.7 / 1.6	48	Y236303
63	22 + 22	1.43	11.1	85 / 3.4	30 / 1.2	0.7 / 1.6	48	Y236304
63	25 + 25	1.26	11.1	85 / 3.4	30 / 1.2	0.7 / 1.6	48	Y236305
63	30 + 30	1.05	11.1	85 / 3.4	30 / 1.2	0.7 / 1.6	48	Y236306

Y23 Range Transformer Specifications - 80VA

Load (VA)	Secondary Voltage (V)	Secondary Current (A)	Regulation (Typical)	Diameter (mm/inches)	Height (mm/inches)	Weight (Kg/Pounds)	Temperature Rise (° C)	AVEL P/N
80	9 + 9	4.44	9.8	85 / 3.4	36 / 1.4	0.9 / 2.0	49	Y23635 0
80	12 + 12	3.33	9.8	85 / 3.4	36 / 1.4	0.9 / 2.0	49	Y23635 1
80	15 + 15	2.67	9.8	85 / 3.4	36 / 1.4	0.9 / 2.0	49	Y23635 2
80	18 + 18	2.22	9.8	85 / 3.4	36 / 1.4	0.9 / 2.0	49	Y23635 3
80	22 + 22	1.82	9.8	85 / 3.4	36 / 1.4	0.9 / 2.0	49	Y23635 4
80	25 + 25	1.60	9.8	85 / 3.4	36 / 1.4	0.9 / 2.0	49	Y23635 5
80	30 + 30	1.33	9.8	85 / 3.4	36 / 1.4	0.9 / 2.0	49	Y23635 6
80	55 + 55	0.73	9.8	85 / 3.4	36 / 1.4	0.9 / 2.0	49	Y23635 7
80	115 + 115	0.35	9.8	85 / 3.4	36 / 1.4	0.9 / 2.0	49	Y23635 8

Y23 Range Transformer Specifications - 100VA

Load (VA)	Secondary Voltage (V)	Secondary Current (A)	Regulation (Typical)	Diameter (mm/inches)	Height (mm/inches)	Weight (Kg/Pounds)	Temperature Rise (° C)	AVEL P/N
100	9 + 9	5.56	8.0	85 / 3.4	41 / 1.6	1.1 / 2.4	49	Y23640 8
100	12 + 12	4.17	8.0	85 / 3.4	41 / 1.6	1.1 / 2.4	49	Y23640 0
100	15 + 15	3.33	8.0	85 / 3.4	41 / 1.6	1.1 / 2.4	49	Y23640 1
100	18 + 18	2.78	8.0	85 / 3.4	41 / 1.6	1.1 / 2.4	49	Y23640 2
100	22 + 22	2.27	8.0	85 / 3.4	41 / 1.6	1.1 / 2.4	49	Y23640 3
100	25 + 25	2.00	8.0	85 / 3.4	41 / 1.6	1.1 / 2.4	49	Y23640 4
100	30 + 30	1.67	8.0	85 / 3.4	41 / 1.6	1.1 / 2.4	49	Y23640 5
100	115 + 115	.43	8.0	85 / 3.4	41 / 1.6	1.1 / 2.4	49	Y23640 7

Y23 Range Transformer Specifications - 120VA

Load (VA)	Secondary Voltage (V)	Secondary Current (A)	Regulation (Typical)	Diameter (mm/inches)	Height (mm/inches)	Weight (Kg/Pounds)	Temperature Rise (° C)	AVEL P/N
120	9 + 9	6.67	8.5	89 / 3.5	42 / 1.7	1.2 / 2.7	52	Y23645 1
120	12 + 12	5.00	8.5	89 / 3.5	42 / 1.7	1.2 / 2.7	52	Y23645 0
120	15 + 15	4.00	8.5	89 / 3.5	42 / 1.7	1.2 / 2.7	52	Y23645 2
120	18 + 18	3.33	8.5	89 / 3.5	42 / 1.7	1.2 / 2.7	52	Y23645 3
120	22 + 22	2.73	8.5	89 / 3.5	42 / 1.7	1.2 / 2.7	52	Y23645 4
120	25 + 25	2.40	8.5	89 / 3.5	42 / 1.7	1.2 / 2.7	52	Y23645 5
120	30 + 30	2.00	8.5	89 / 3.5	42 / 1.7	1.2 / 2.7	52	Y23645 6
120	55 + 55	1.09	8.5	89 / 3.5	42 / 1.7	1.2 / 2.7	52	Y23645 7
120	115+115	0.52	8.5	89 / 3.5	42 / 1.7	1.2 / 2.7	52	Y23645 8

Y23 Range Transformer Specifications - 160VA

Load (VA)	Secondary Voltage (V)	Secondary Current (A)	Regulation (Typical)	Diameter (mm/inches)	Height (mm/inches)	Weight (Kg/Pounds)	Temperature Rise (° C)	AVEL P/N
160	12 + 12	6.67	6.7	100 / 4.0	42 / 1.7	1.5 / 3.3	52	Y23650 0
160	15 + 15	5.33	6.7	100 / 4.0	42 / 1.7	1.5 / 3.3	52	Y23650 1
160	18 + 18	4.44	6.7	100 / 4.0	42 / 1.7	1.5 / 3.3	52	Y23650 2
160	22 + 22	3.64	6.7	100 / 4.0	42 / 1.7	1.5 / 3.3	52	Y23650 3
160	25 + 25	3.20	6.7	100 / 4.0	42 / 1.7	1.5 / 3.3	52	Y23650 4
160	30 + 30	2.67	6.7	100 / 4.0	42 / 1.7	1.5 / 3.3	52	Y23650 5
160	35 + 35	2.29	6.7	100 / 4.0	42 / 1.7	1.5 / 3.3	52	Y23650 7
160	55 + 55	1.45	6.7	100 / 4.0	42 / 1.7	1.5 / 3.3	52	Y23650 6
160	115 + 115	0.70	6.7	100 / 4.0	42 / 1.7	1.5 / 3.3	52	Y23650 8

Y23 Range Transformer Specifications - 230VA

Load (VA)	Secondary Voltage (V)	Secondary Current (A)	Regulation (Typical)	Diameter (mm/inches)	Height (mm/inches)	Weight (Kg/Pounds)	Temperature Rise (° C)	AVEL P/N
230	12 + 12	9.58	6.4	108 / 4.3	48 / 1.9	2.1 / 4.6	51	Y23660 6

230	15 + 15	7.67	6.4	108 / 4.3	48 / 1.9	2.1 / 4.6	51	Y236607
230	18 + 18	6.39	6.4	108 / 4.3	48 / 1.9	2.1 / 4.6	51	Y236608
230	25 + 25	4.60	6.4	108 / 4.3	48 / 1.9	2.1 / 4.6	51	Y236600
230	30 + 30	3.83	6.4	108 / 4.3	48 / 1.9	2.1 / 4.6	51	Y236601
230	35 + 35	3.29	6.4	108 / 4.3	48 / 1.9	2.1 / 4.6	51	Y236602
230	40 + 40	2.88	6.4	108 / 4.3	48 / 1.9	2.1 / 4.6	51	Y236603
230	55 + 55	2.09	6.4	108 / 4.3	48 / 1.9	2.1 / 4.6	51	Y236604
230	115 + 115	1.00	6.4	108 / 4.3	48 / 1.9	2.1 / 4.6	51	Y236605

Y23 Range Transformer Specifications - 250VA

Load (VA)	Secondary Voltage (V)	Secondary Current (A)	Regulation (Typical)	Diameter (mm/inches)	Height (mm/inches)	Weight (Kg/Pounds)	Temperature Rise (° C)	AVEL P/N
250	12 + 12	10.42	6.4	113 / 4.5	50 / 2.0	2.2 / 4.9	52	Y236650
250	18 + 18	6.94	6.4	113 / 4.5	50 / 2.0	2.2 / 4.9	52	Y236651
250	25 + 25	5.00	6.4	113 / 4.5	50 / 2.0	2.2 / 4.9	52	Y236652
250	30 + 30	4.17	6.4	113 / 4.5	50 / 2.0	2.2 / 4.9	52	Y236653
250	35 + 35	3.57	6.4	113 / 4.5	50 / 2.0	2.2 / 4.9	52	Y236654
250	40 + 40	3.13	6.4	113 / 4.5	50 / 2.0	2.2 / 4.9	52	Y236655
250	45 + 45	2.78	6.4	113 / 4.5	50 / 2.0	2.2 / 4.9	52	Y236656
250	50 + 50	2.50	6.4	113 / 4.5	50 / 2.0	2.2 / 4.9	52	Y236657
250	115 + 115	1.09	6.4	113 / 4.5	50 / 2.0	2.2 / 4.9	52	Y236658

Y23 Range Transformer Specifications - 330VA

Load (VA)	Secondary Voltage (V)	Secondary Current (A)	Regulation (Typical)	Diameter (mm/inches)	Height (mm/inches)	Weight (Kg/Pounds)	Temperature Rise (° C)	AVEL P/N
330	25 + 25	6.60	6.0	122 / 4.8	53 / 2.1	2.8 / 6.2	52	Y236750
330	30 + 30	5.50	6.0	122 / 4.8	53 / 2.1	2.8 / 6.2	52	Y236751
330	35 + 35	4.71	6.0	122 / 4.8	53 / 2.1	2.8 / 6.2	52	Y236752
330	40 + 40	4.13	6.0	122 / 4.8	53 / 2.1	2.8 / 6.2	52	Y236753
330	45 + 45	3.67	6.0	122 / 4.8	53 / 2.1	2.8 / 6.2	52	Y236754
330	55 + 55	3.00	6.0	122 / 4.8	53 / 2.1	2.8 / 6.2	52	Y236755
330	115 + 115	1.43	6.0	122 / 4.8	53 / 2.1	2.8 / 6.2	52	Y236756

Y23 Range Transformer Specifications - 500VA

Load (VA)	Secondary Voltage (V)	Secondary Current (A)	Regulation (Typical)	Diameter (mm/inches)	Height (mm/inches)	Weight (Kg/Pounds)	Temperature Rise (° C)	AVEL P/N
500	25 + 25	10.00	4.3	135 / 5.3	56 / 2.2	4.0 / 8.8	51	Y236801
500	30 + 30	8.33	4.3	135 / 5.3	56 / 2.2	4.0 / 8.8	51	Y236802
500	35 + 35	7.14	4.3	135 / 5.3	56 / 2.2	4.0 / 8.8	51	Y236803
500	40 + 40	6.25	4.3	135 / 5.3	56 / 2.2	4.0 / 8.8	51	Y236804
500	45 + 45	5.56	4.3	135 / 5.3	56 / 2.2	4.0 / 8.8	51	Y236807
500	50 + 50	5.00	4.3	135 / 5.3	56 / 2.2	4.0 / 8.8	51	Y236808
500	55 + 55	4.55	4.3	135 / 5.3	56 / 2.2	4.0 / 8.8	51	Y236800
500	60 + 60	4.17	4.3	135 / 5.3	56 / 2.2	4.0 / 8.8	51	Y236805
500	115 + 115	2.17	4.3	135 / 5.3	56 / 2.2	4.0 / 8.8	51	Y236806

Y23 Range Transformer Specifications - 625VA

Load (VA)	Secondary Voltage (V)	Secondary Current (A)	Regulation (Typical)	Diameter (mm/inches)	Height (mm/inches)	Weight (Kg/Pounds)	Temperature Rise (° C)	AVEL P/N
625	25 + 25	12.50	4.3	137 / 5.4	67 / 2.6	4.9 / 10.8	53	Y236850
625	30 + 30	10.42	4.3	137 / 5.4	67 / 2.6	4.9 / 10.8	53	Y236851
625	35 + 35	8.93	4.3	137 / 5.4	67 / 2.6	4.9 / 10.8	53	Y236852
625	40 + 40	7.81	4.3	137 / 5.4	67 / 2.6	4.9 / 10.8	53	Y236853
625	45 + 45	6.94	4.3	137 / 5.4	67 / 2.6	4.9 / 10.8	53	Y236857

625	50 + 50	6.25	4.3	137 / 5.4	67 / 2.6	4.9 / 10.8	53	Y23685 8
625	55 + 55	5.68	4.3	137 / 5.4	67 / 2.6	4.9 / 10.8	53	Y23685 4
625	60 + 60	5.21	4.3	137 / 5.4	67 / 2.6	4.9 / 10.8	53	Y23685 5
625	115 + 115	2.72	4.3	137 / 5.4	67 / 2.6	4.9 / 10.8	53	Y23685 6

Y23 Range Transformer Specifications - 800VA

Load (VA)	Secondary Voltage (V)	Secondary Current (A)	Regulation (Typical)	Diameter (mm/inches)	Height (mm/inches)	Weight (Kg/Pounds)	Temperature Rise (° C)	AVEL P/N
800	25 + 25	16.00	4.4	161 / 6.3	57 / 2.2	6.0 / 13.2	55	Y23690 0
800	30 + 30	13.33	4.4	161 / 6.3	57 / 2.2	6.0 / 13.2	55	Y23690 1
800	35 + 35	11.43	4.4	161 / 6.3	57 / 2.2	6.0 / 13.2	55	Y23690 2
800	40 + 40	10.00	4.4	161 / 6.3	57 / 2.2	6.0 / 13.2	55	Y23690 3
800	45 + 45	8.89	4.4	161 / 6.3	57 / 2.2	6.0 / 13.2	55	Y23690 7
800	50 + 50	8.00	4.4	161 / 6.3	57 / 2.2	6.0 / 13.2	55	Y23690 8
800	55 + 55	7.27	4.4	161 / 6.3	57 / 2.2	6.0 / 13.2	55	Y23690 4
800	60 + 60	6.67	4.4	161 / 6.3	57 / 2.2	6.0 / 13.2	55	Y23690 5
800	115 + 115	3.48	4.4	161 / 6.3	57 / 2.2	6.0 / 13.2	55	Y23690 6

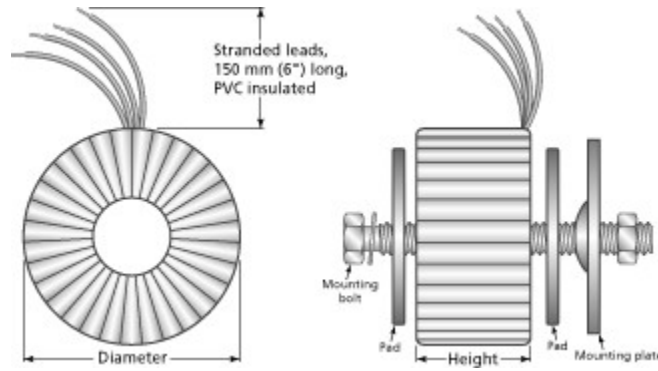
Y23 Range Transformer Specifications - 1000VA

Load (VA)	Secondary Voltage (V)	Secondary Current (A)	Regulation (Typical)	Diameter (mm/inches)	Height (mm/inches)	Weight (Kg/Pounds)	Temperature Rise (° C)	AVEL P/N
1000	25 + 25	20.00	3.8	163 / 6.4	65 / 2.6	7.0 / 15.4	56	Y23695 0
1000	30 + 30	16.67	3.8	163 / 6.4	65 / 2.6	7.0 / 15.4	56	Y23695 1
1000	35 + 35	14.29	3.8	163 / 6.4	65 / 2.6	7.0 / 15.4	56	Y23695 2
1000	40 + 40	12.50	3.8	163 / 6.4	65 / 2.6	7.0 / 15.4	56	Y23695 3
1000	45 + 45	11.11	3.8	163 / 6.4	65 / 2.6	7.0 / 15.4	56	Y23695 7
1000	50 + 50	10.00	3.8	163 / 6.4	65 / 2.6	7.0 / 15.4	56	Y23695 8
1000	55 + 55	9.09	3.8	163 / 6.4	65 / 2.6	7.0 / 15.4	56	Y23695 4
1000	60 + 60	8.33	3.8	163 / 6.4	65 / 2.6	7.0 / 15.4	56	Y23695 9
1000	115 + 115	4.35	3.80	163 / 6.4	65 / 2.6	7.0 / 15.4	56	Y23695 6

Y23 Range Efficiency At Maximum Continuous VA Rating

Load (VA)	Efficiency (%)	Copper Loss (W)	Iron Loss (W)
15	84.8	2.5	0.2
30	84.8	5.1	0.3
50	86.9	7.1	0.4
63	87.7	8.3	0.5
80	88.9	9.3	0.7
100	90.4	9.8	0.8
120	90.8	11.3	0.9
160	91.7	13.3	1.1
230	93.0	15.7	1.5
250	93.2	16.6	1.6
330	94.0	19.2	1.9
500	95.1	23.0	2.8
625	95.4	26.8	3.3
800	95.6	33.0	4.1
1000	96.0	36.2	5.4

Y23 Range Transformer Mechanical Drawing



Y23 Range Transformer Mounting Specifications

Load (VA)	Mounting Plate	Bolt
15, 30, 50	50 mm dia. x 1 mm thick (2.0" dia. x .04" thick)	M5 x 40 mm
63, 80, 100, 120	70 mm dia. x 1 mm thick (2.8" dia. x .04" thick)	M6 x 50 mm
160, 230, 330	90 mm dia. x 1 mm thick (3.6" dia. x .04" thick)	M6 x 60 mm
500, 625, 800, 1000	110 mm dia. x 1 mm thick (4.3" dia. x .04" thick)	M6 x 80 mm

All types also include 2 insulating pads, 2mm (.08") thick (un compressed)

Y23 Range Transformer Connections

Note: Windings may be connected in parallel or in series.
If they are isolated from each other, the applied potential between them must not exceed 250 V DC.

