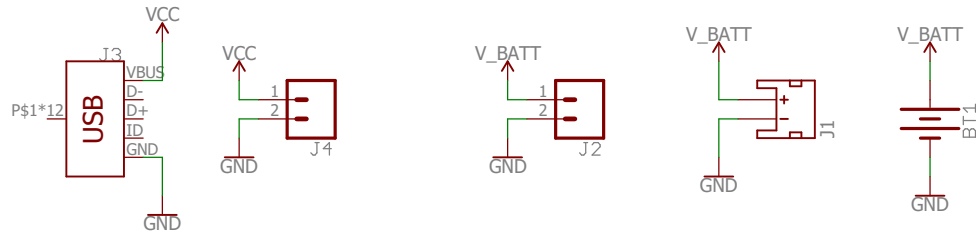
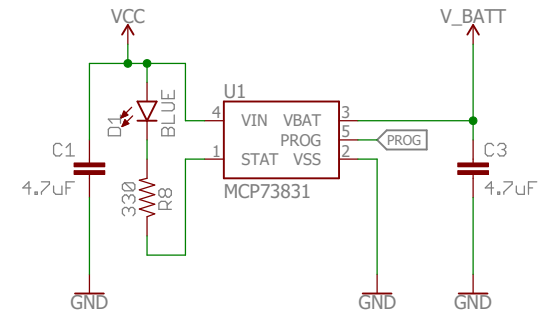


Connectors

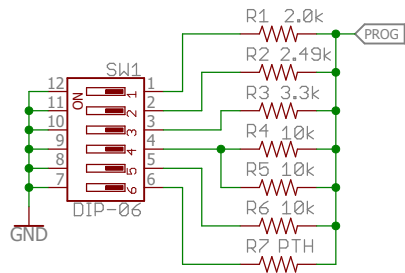


VCC: 3.75-6V

LiPo Charger



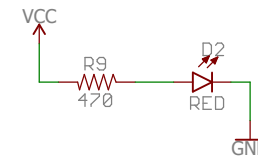
Charge Rate Select



Resistor (kΩ)	Charge Rate (mA)
2.0	500
2.49	400
3.3	300
5.0	200
10.0	100

$$I_{set} \text{ (mA)} = \frac{1000}{R \text{ (k}\Omega)}$$

Power Indicator



Released under the Creative Commons Attribution Share-Alike 4.0 License
<https://creativecommons.org/licenses/by-sa/4.0/>



TITLE: Sparkfun_Adjustable_LiPo_Charger_v10

Design by: Alex Wende

REV: v10

Date: 8/14/2017 3:00 PM

Sheet: 1/1