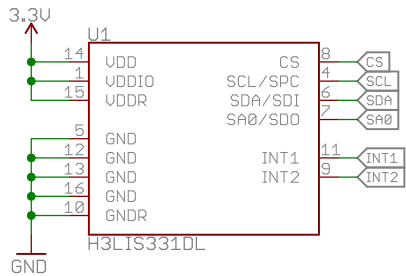
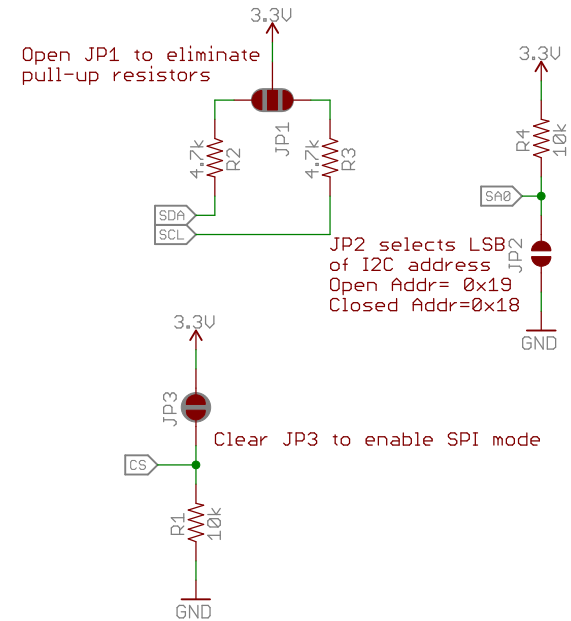
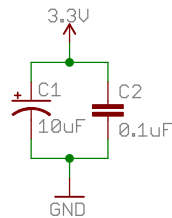


Headers

Accelerometer



Bypass Capacitance



Passives

Released under the Creative Commons Attribution Share-Alike 4.0 License
<https://creativecommons.org/licenses/by-sa/4.0/>



TITLE: SparkFun_Tri_Axis_Accel_Breakout-H3LIS331DL

Design by: Mike Hord

REV: 10

Date: 9/19/2017 12:45 PM

Sheet: 1/1

