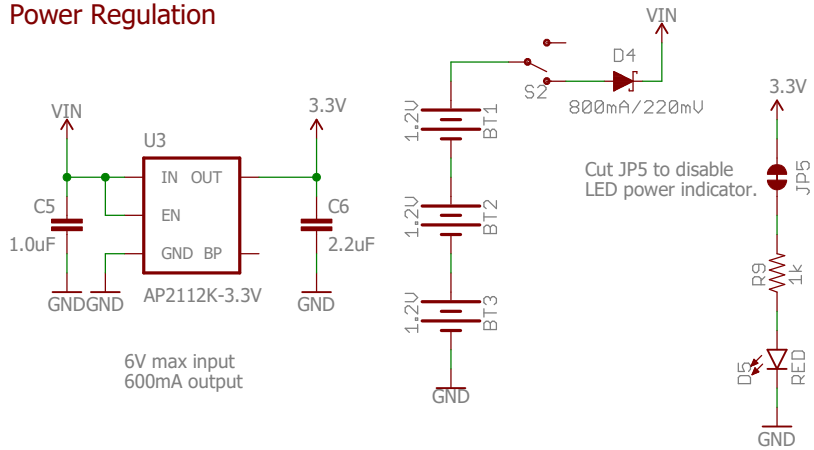
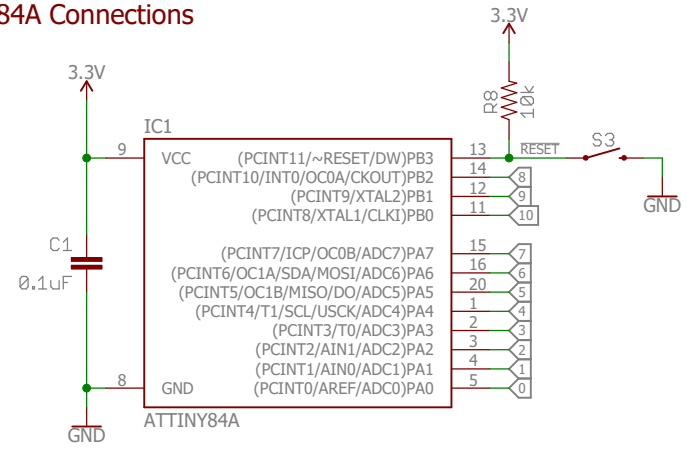


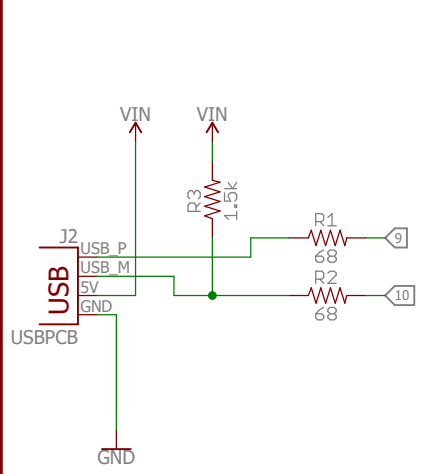
### Power Regulation



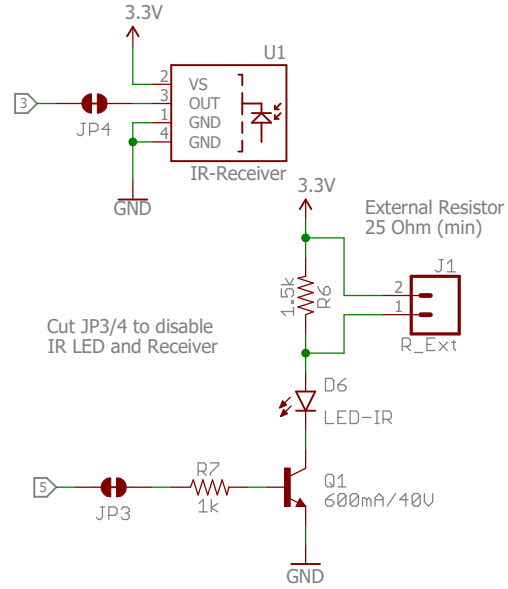
### ATTiny84A Connections



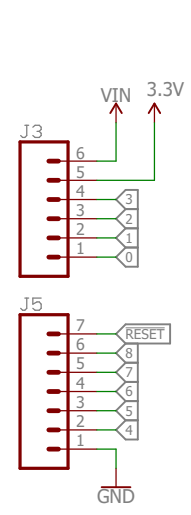
### USB Programming



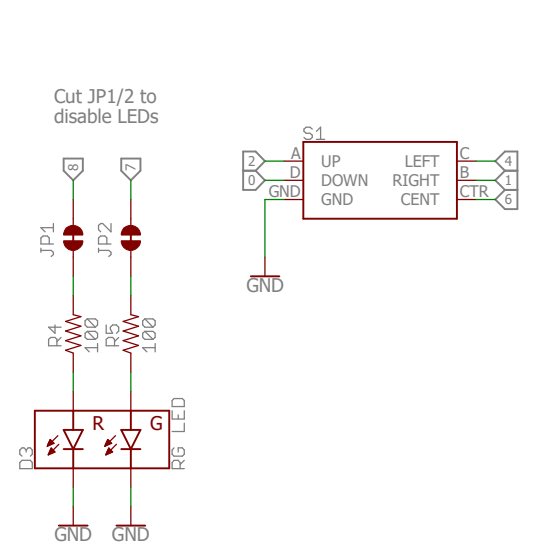
### IR Receiver / Transmitter



### IO Breakout



### User Interface



Released under the Creative Commons Attribution Share-Alike 4.0 License  
<https://creativecommons.org/licenses/by-sa/4.0/>

 Special Instructions

TITLE: SparkFun\_Roshamglo

Design by: Alex Wende Shawn Hymel	REV: v10
Date: 3/8/2017 11:20 AM	Sheet: 1/1