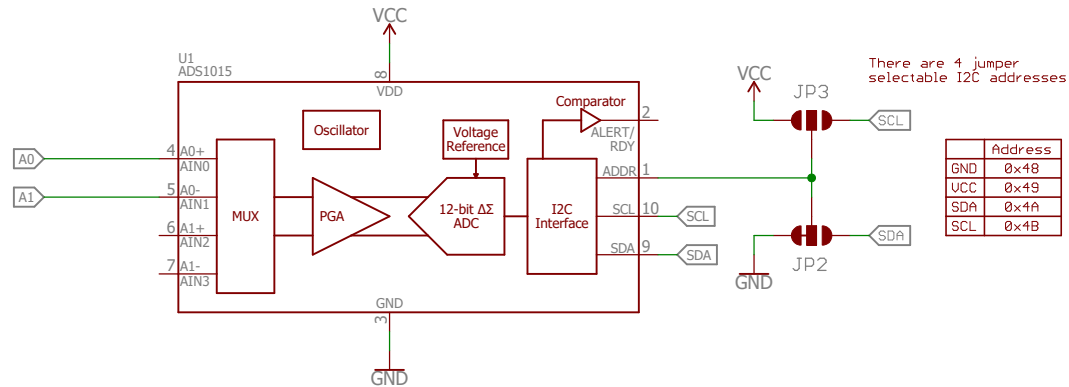
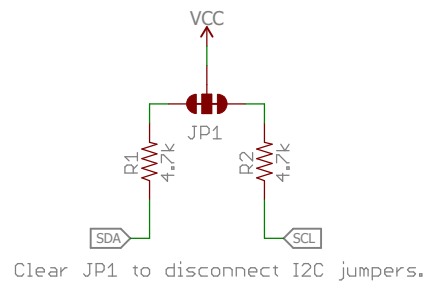
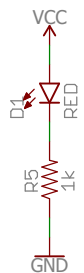
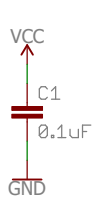
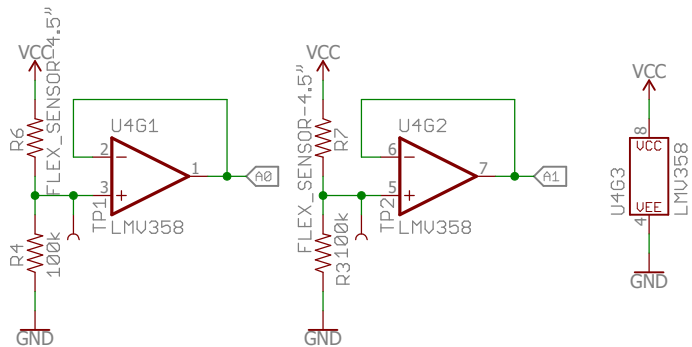


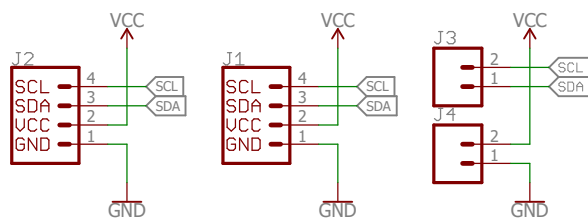
ADC-to-I2C
VCC Range: 2.7V-5.5V



Op-Amp Circuit



Qwiic Connectors, PTH Interface



Released under the Creative Commons

Attribution Share-Alike 4.0 License

<https://creativecommons.org/licenses/by-sa/4.0/>



TITLE: SparkFun Qwiic Flex Glove Controller

Design by: A. England

REV:
v10

Date: 5/11/2018 9:27 AM

Sheet: 1/1