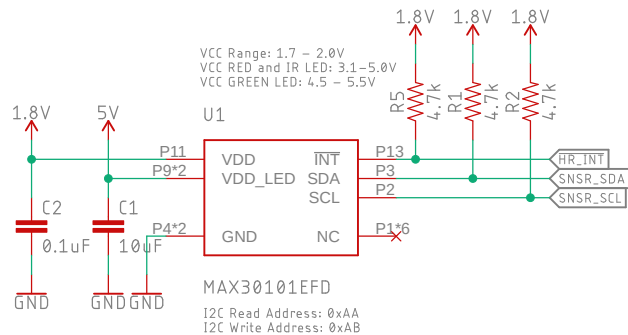
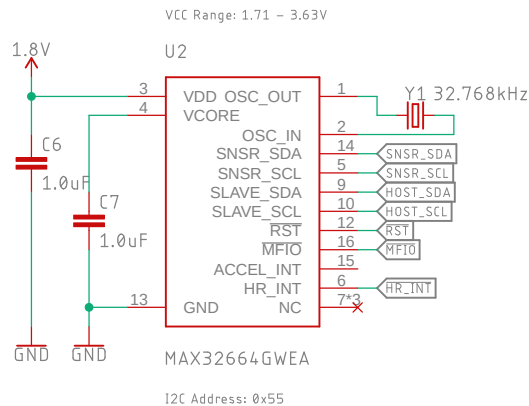


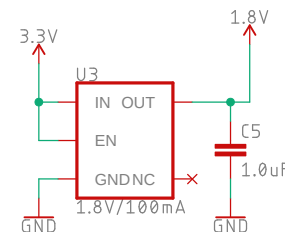
MAX30101 Pulse Oximeter and Heart Rate Sensor



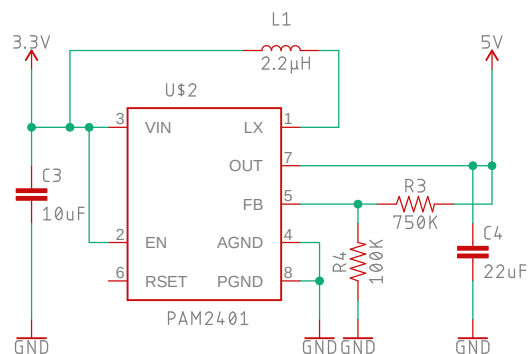
MAX32644 Biometric HUB



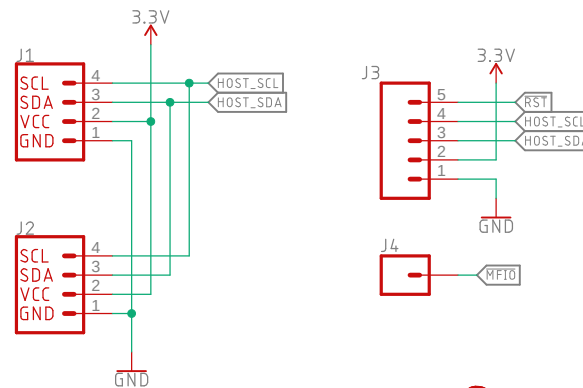
1.8V VREG



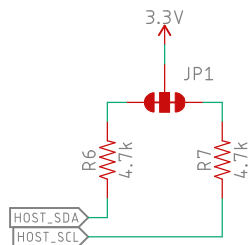
DC-DC Converter



Connectors



I2C Pullup Resistors



Released under the Creative Commons [Special Instructions](https://creativecommons.org/licenses/by-sa/4.0/)
 Attribution Share-Alike 4.0 License
<https://creativecommons.org/licenses/by-sa/4.0/>

TITLE: SparkFun_Pulse_Oximeter_Heart-Rate_Sensor

Design by: Elias Santistevan REV: v01

Date: 9/11/2019 11:55 AM Sheet: 1/1