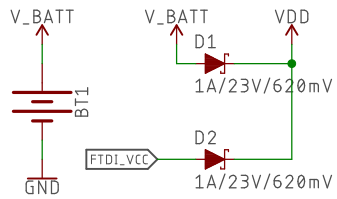
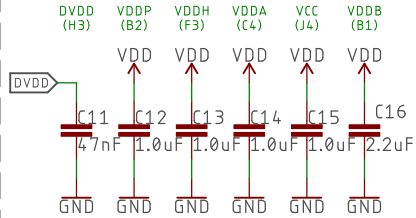


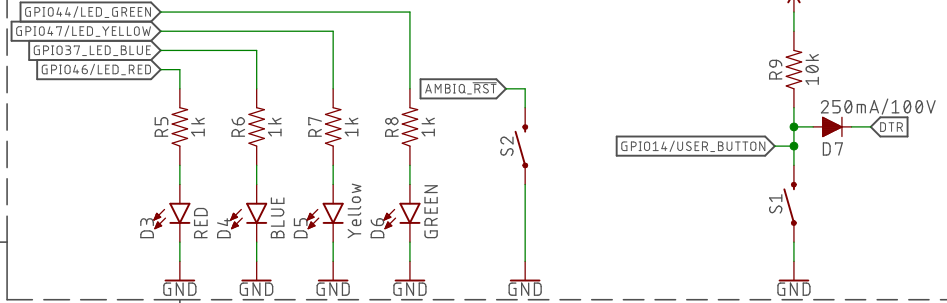
### Coin Cell/FTDI Power



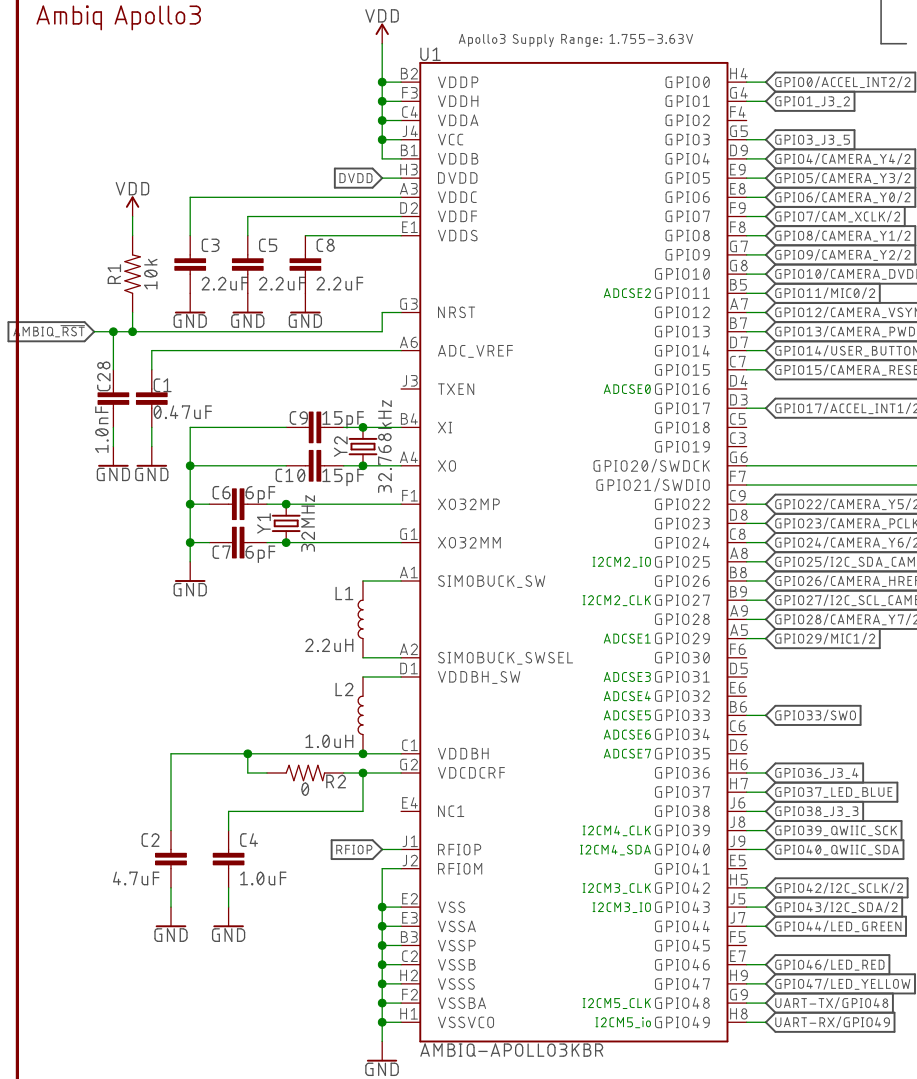
### Apollo3 Decoupling



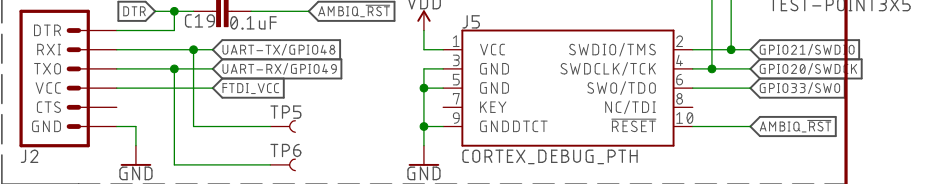
### UI - LEDs and Button



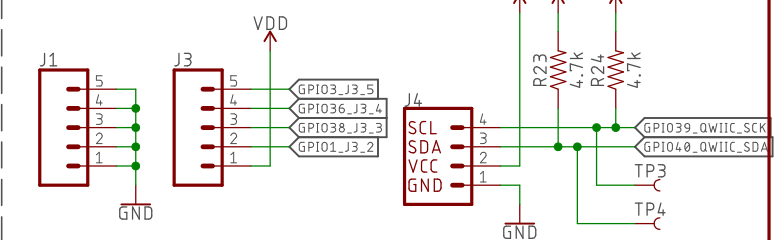
### Ambiq Apollo3



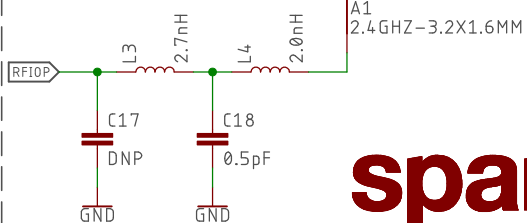
### Programming Headers



### Expansion Headers



### BLE Antenna



Released under the Creative Commons

Attribution Share-Alike 4.0 License

<https://creativecommons.org/licenses/by-sa/4.0/>



TITLE: SparkFun\_TensorFlow\_Ambiq\_Apollo3

Design by:  
Jim Lindblom

REV:  
v01



Date: 2/25/2019 9:11 AM

Sheet: 1/2

