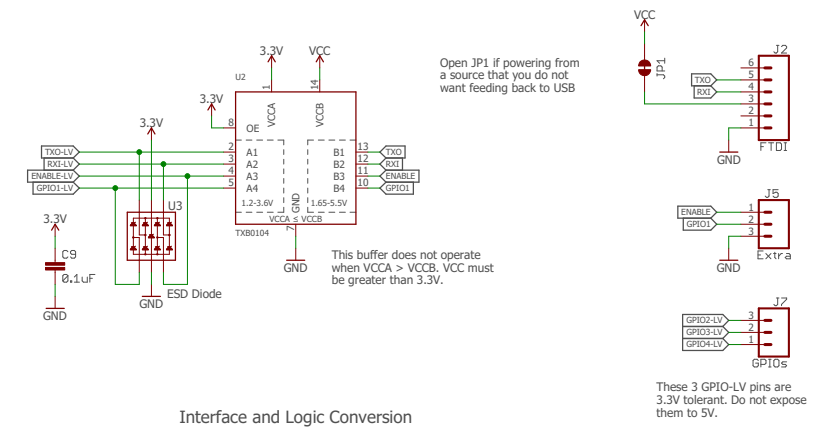
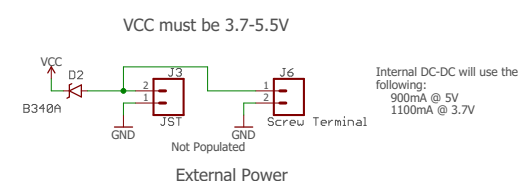


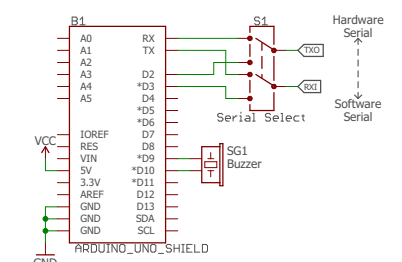
RFID Module



Interface and Logic Conversion



External Power



Shield and Serial Select

- Changes on v10:
- Decreased size of RF pad to avoid GND pad on module
 - Finalized trace antenna design and matching network
 - Added thermals to user solderable GND connections
 - Opened up heatsink area on bottom of PCB



Released under the Creative Commons Attribution Share-Alike 4.0 License https://creativecommons.org/licenses/by-sa/4.0/	
TITLE: Simultaneous_RFID_Tag_Reader	
Design by: N. Seidle	REV: v10
Date: 2/20/2017 9:37 AM	Sheet: 1/1

