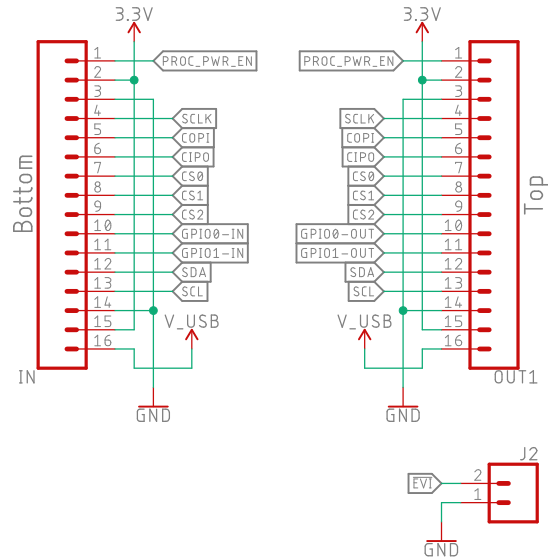
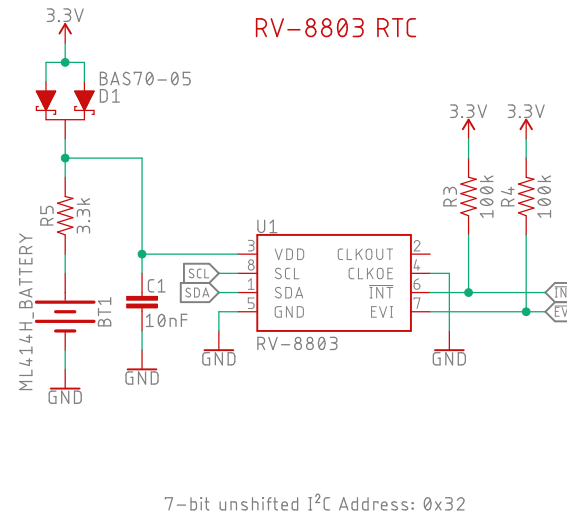


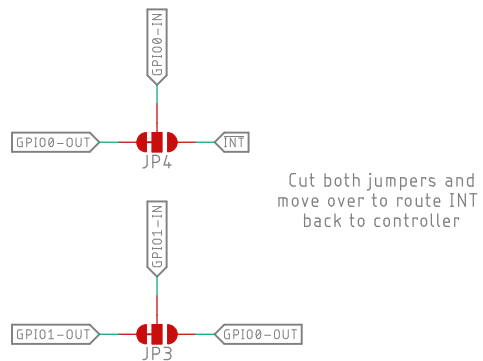
### smôl Connectors



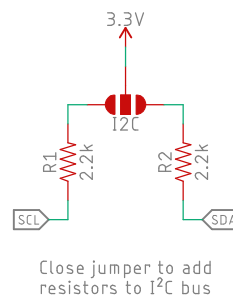
### RV-8803 RTC



### Enable INT



### I<sup>2</sup>C Pullups



**SPARK X**

smôl



open hardware

Special Instructions

Released under the Creative Commons Attribution Share-Alike 4.0 License  
<https://creativecommons.org/licenses/by-sa/4.0/>



TITLE: SparkX\_smol\_RTC

Design by: N. Seidle

REV: x01

Date: 03/02/2022 10:14

Sheet: 1/1