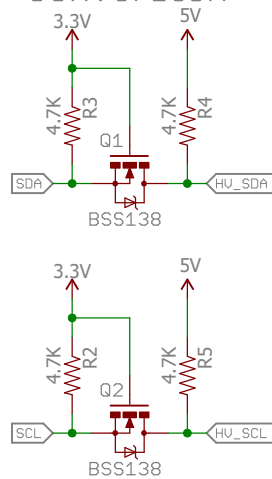
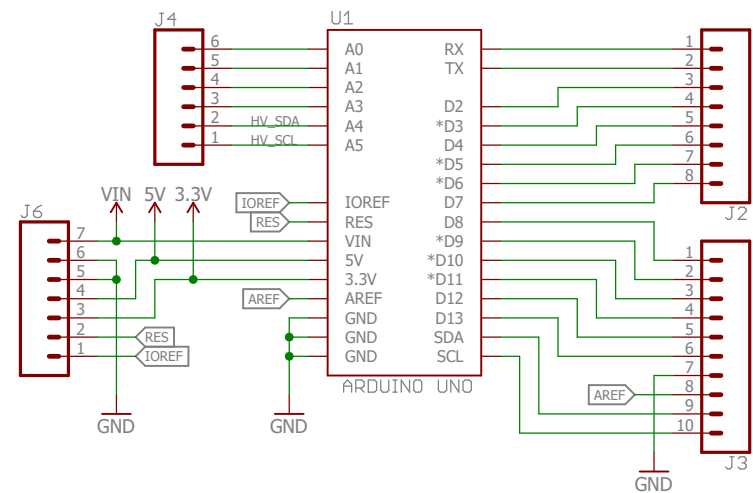


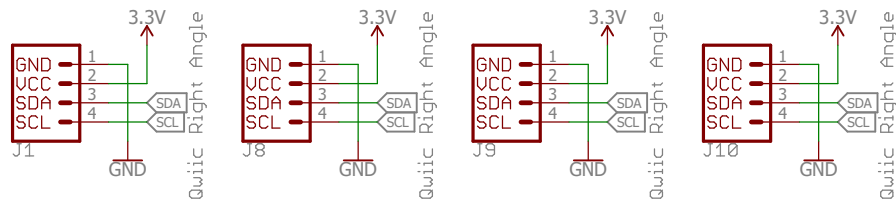
Logic Level Conversion



Arduino



I2C Connectors



Qwiic Board Outline

Released under the Creative Commons

Attribution Share-Alike 4.0 License

<https://creativecommons.org/licenses/by-sa/4.0/>



TITLE: Qwiic Shield for Arduino v10

Design by: N. Seidle

Revision By: Andrew England

REV:
V10

Date: 8/23/2017 8:50 AM

Sheet: 1/1