

MLX90393 Breakout

MODES:

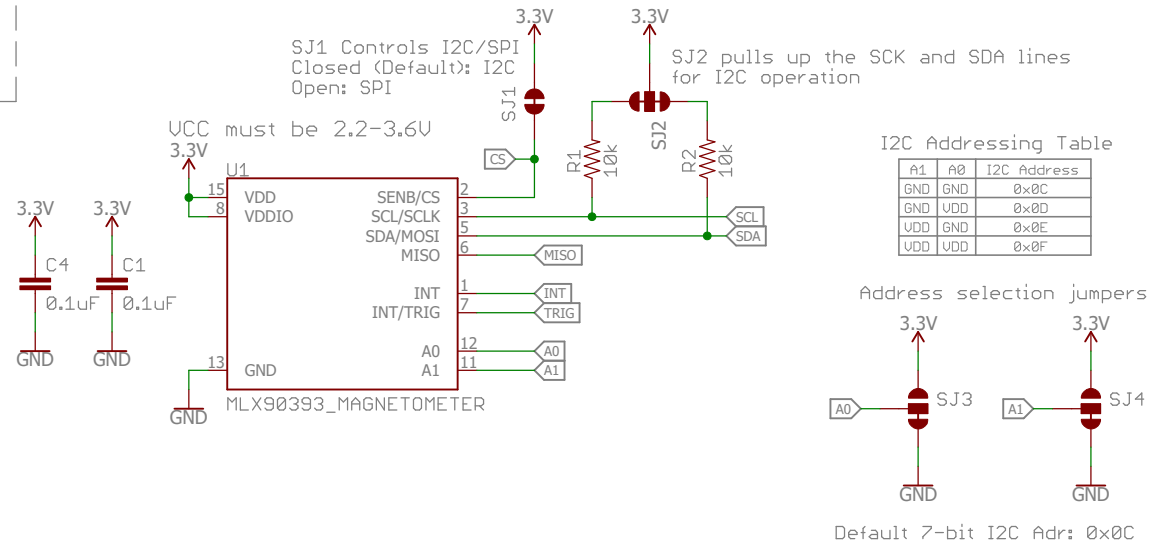
I2C:

Leave the copper-connected jumpers SJ1 and SJ2 as default.
 SJ1 is the LSB of the address.

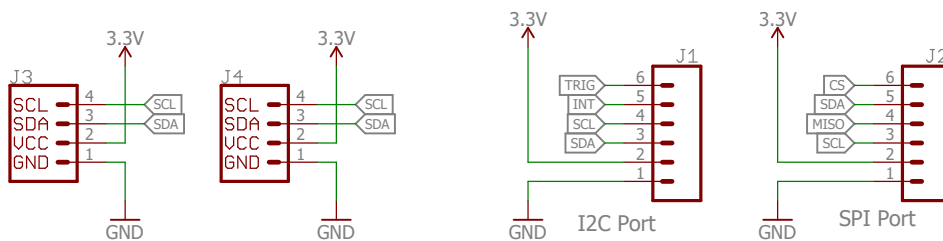
SPI 4-WIRE:

Jumpers SJ2 can be opened to remove pull-ups on the SPI lines.
 SJ1 must be open for SPI operation.

Magnetometer Circuitry



User Ports



Released under the Creative Commons Attribution Share-Alike 4.0 License
<https://creativecommons.org/licenses/by-sa/4.0/>



TITLE: Qwiic_MLX90393_Magnetometer

Design by: R. Reynolds
 Revision By: A. England

REV: v10

Date: 4/25/2018 2:59 PM

Sheet: 1/1