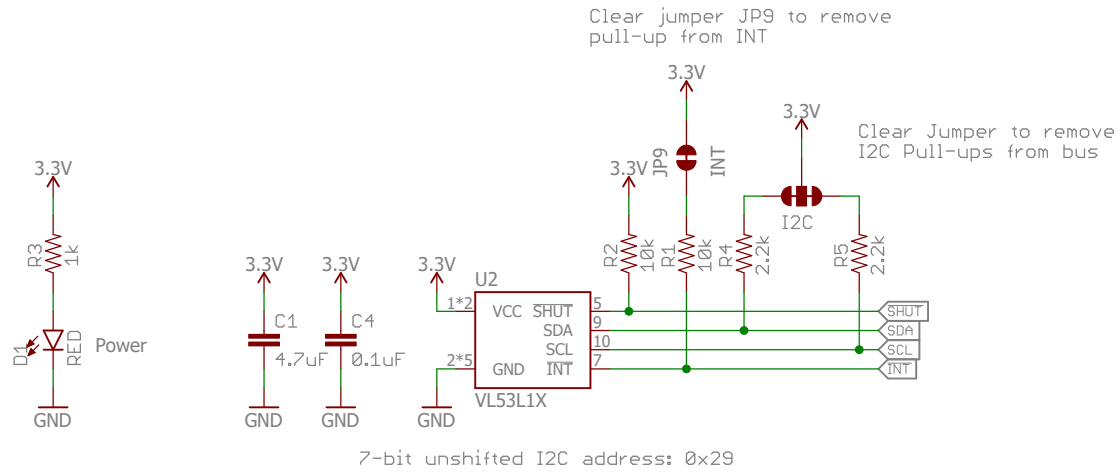
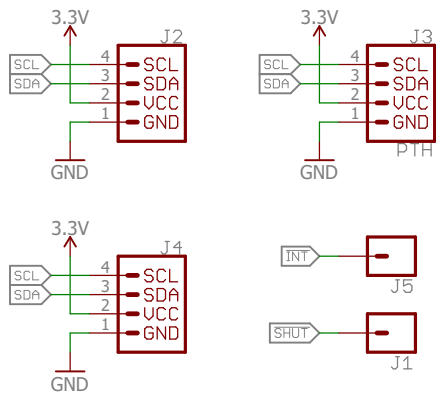


VL53L1X Distance Sensor
VCC: 2.3V-3.5V



I²C Connections



Released under the Creative Commons Attribution Share-Alike 4.0 License
<https://creativecommons.org/licenses/by-sa/4.0/>



TITLE: Qwiic Distance Sensor - VL53L1X

Design by: N. Seidle
Revision By: A. England

REV:
v10

Date: 6/14/2018 12:17 PM

Sheet: 1/1