

BME280 - Humidity, Pressure, Temperature

MODES:

I2C:

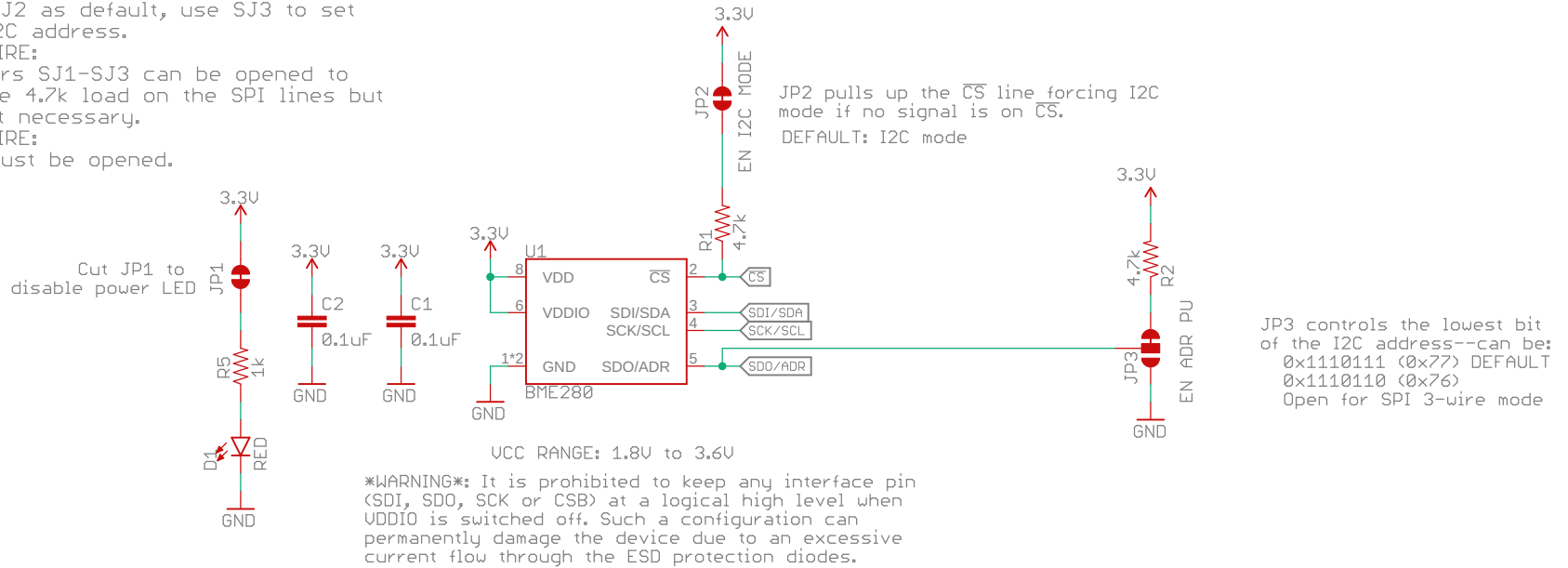
Leave the copper-connected jumpers SJ1-SJ2 as default, use SJ3 to set the I2C address.

SPI 4-WIRE:

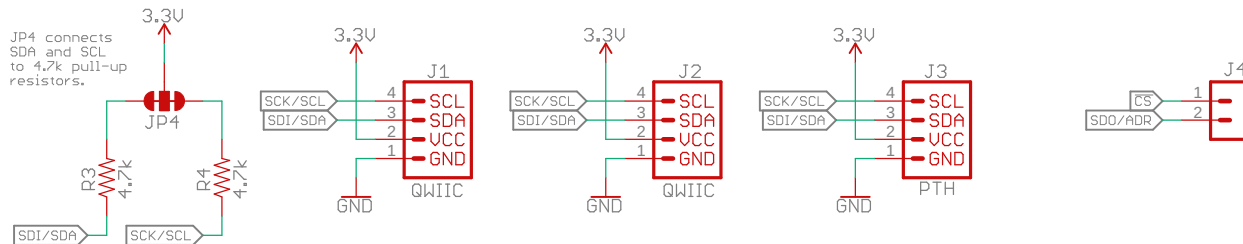
Jumpers SJ1-SJ3 can be opened to remove 4.7k load on the SPI lines but is not necessary.

SPI 3-WIRE:

SJ3 must be opened.



Connectors and I2C Pullups



Released under the Creative Commons

Attribution Share-Alike 4.0 License

<https://creativecommons.org/licenses/by-sa/4.0/>



TITLE: Qwiic_Weather

Design by: Kenny Hora, Pete Lewis

REV:

v10

Date: 6/24/2019 4:32 PM

Sheet: 1/1