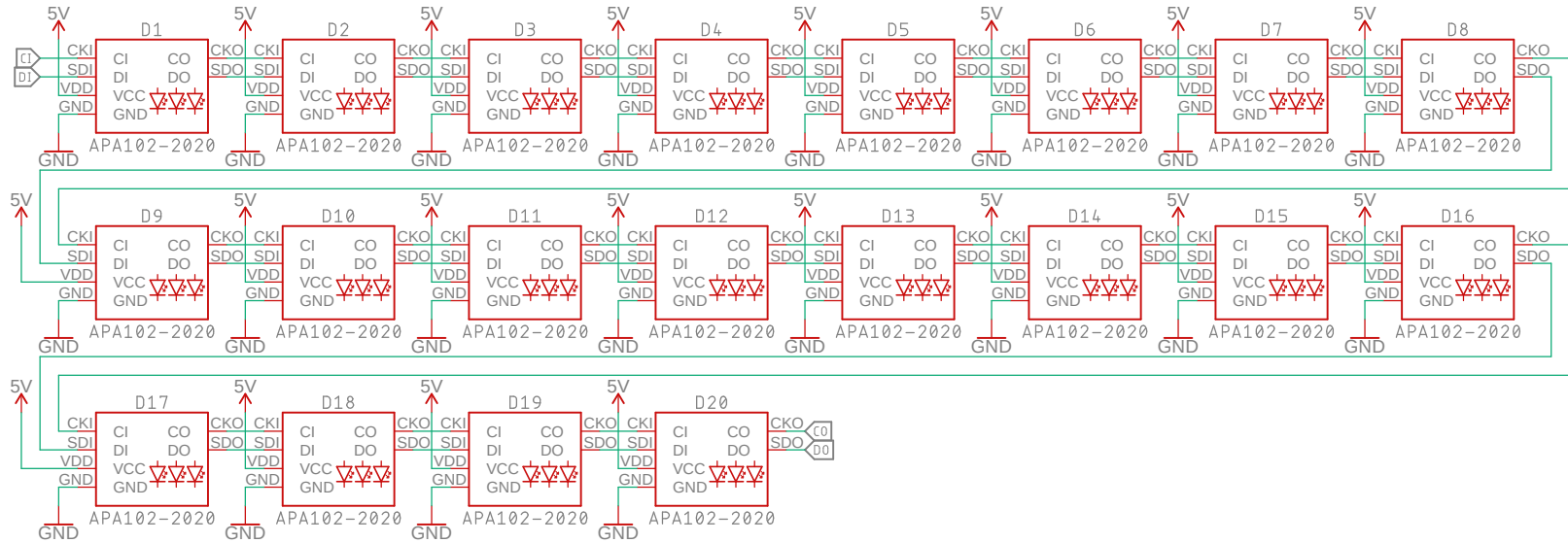
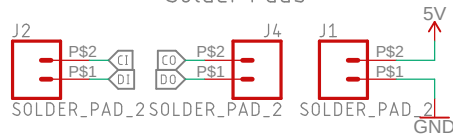


LED's
Vin: 3.0V-5.5V



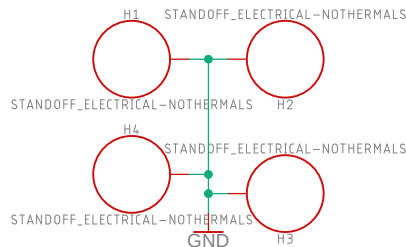
Solder Pads



Decoupling Capacitor



Heat Sinking/Grounding Standoffs



Released under the Creative Commons Attribution Share-Alike 4.0 License
<https://creativecommons.org/licenses/by-sa/4.0/>

TITLE: LuMini_1Inch ⊗⊗⊗⊗

Design by: Andy England REV: v10

Date: 12/7/2018 1:59 PM Sheet: 1/1