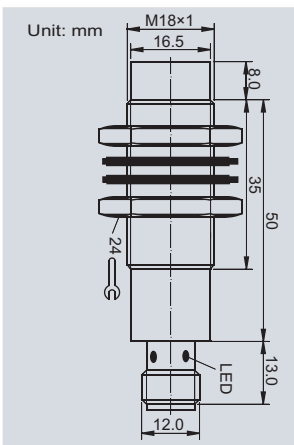
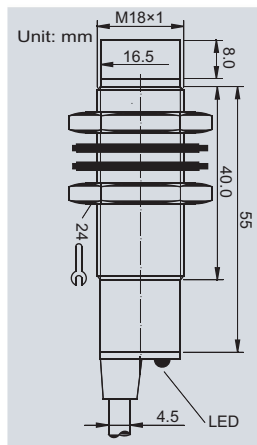
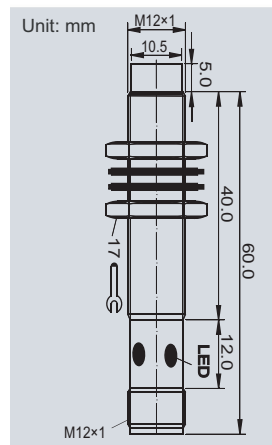
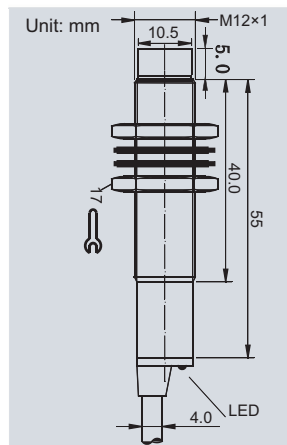


Diension	M12×1	M12×1	M18×1	M18×1
Installation	Nonflush (unshielded)	Nonflush (unshielded)	Nonflush (unshielded)	Nonflush (unshielded)
Mounting distance Sn	4.0mm	4.0mm	8.0mm	8.0mm
Detect distance Sa	0...3.2mm	0...3.2mm	0...6.4mm	0...6.4mm

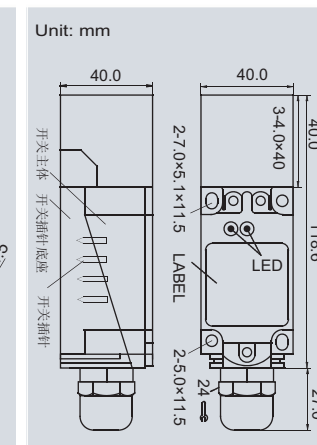
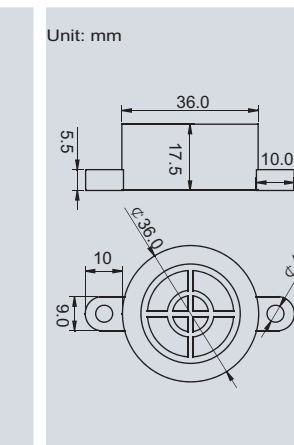
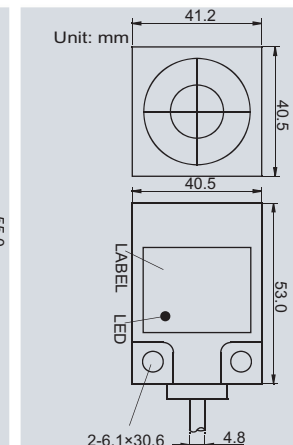
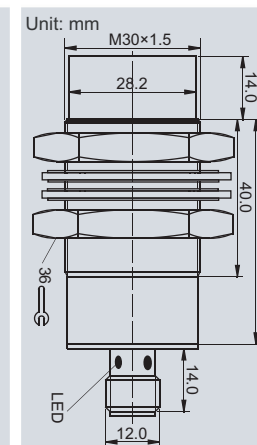
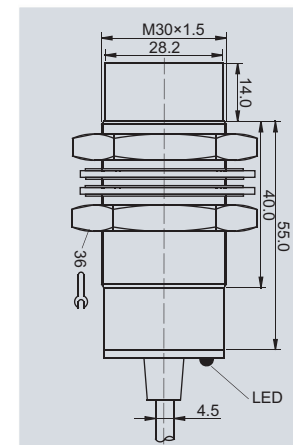


PNP	DC 3 wires	NO	CPS-12PO4B	CPSI/L-12PO4B	CPS-18PO8B	CPSI/L-18PO8B
		NC	CPS-12PC4B	CPSI/L-12PC4B	CPS-18PC8B	CPSI/L-18PC8B
	DC 4 wires	NO+NC			CPS-18POC8B	CPSI/L-18POC8B
NPN	DC 3 wires	NO	CPS-12NO4B	CPSI/L-12NO4B	CPS-18NO8B	CPSI/L-18NO8B
		NC	CPS-12NC4B	CPSI/L-12NC4B	CPS-18NC8B	CPSI/L-18NC8B
	DC 4 wires	NO+NC			CPS-18NOC8B	CPSI/L-18NOC8B
DC 2 wires		NO				
		NC				
AC 2 wires		NO				
		NC				

Rated operational voltage(DC/AC)	24V DC/220V AC	24V DC/220V AC	24V DC/220V AC	24V DC/220V AC
Supply voltage(DC/AC)	10-30V DC/90-250V AC	10-30V DC/90-250V AC	10-30V DC/90-250V AC	10-30V DC/90-250V AC
Voltage drop	≤2 V	≤2 V	≤2 V	≤2 V
Rated insulation voltage	≥20MΩ	≥20MΩ	≥20MΩ	≥20MΩ
Load current capacity(DC/AC)	200mA/300mA	200mA/300mA	200mA/300mA	200mA/300mA
Off-state current (NPN/PNP)	≤11 mA	≤11 mA	≤11 mA	≤10 mA
Leak current	≤20 μA	≤20 μA	≤20 μA	≤20 μA
Against polarity reversal	YES	YES	YES	YES
Repeated accuracy	≤5%	≤5%	≤5%	≤5%
Ambient temperature range	-25...+70℃	-25...+70℃	-25...+70℃	-25...+70℃
Frequency (DC 3 wires/ AC 2 wires)	30Hz/10Hz	30Hz/10Hz/10Hz	30Hz/10Hz/10Hz	30Hz/10Hz/10Hz
Function indication	Red LED Indicator	Red LED Indicator	Red LED Indicator	Red LED Indicator
IP ratings (IEC60529)	IP67	IP67	IP67	IP67
Housing material	Brass nickle plated	Brass nickle plated	Brass nickle plated	Brass nickle plated
Material of sensing face	ABS	ABS	ABS	ABS
Connection	Wires	Connector	Wires	Connector
No. of wires × gauge	12×0.12mm		12×0.16mm	
Standard length of cable	2m	2m	2m	2m
Plug-in connector	/	C12-I/L-F-3/4-A/B	/	C12-I/L-F-3/4-A/B

- For connection drawing, please refer to instruction manual.
- Cable and housing of proximity sensor can be special ordered.
- AC 24~250V can be special ordered.

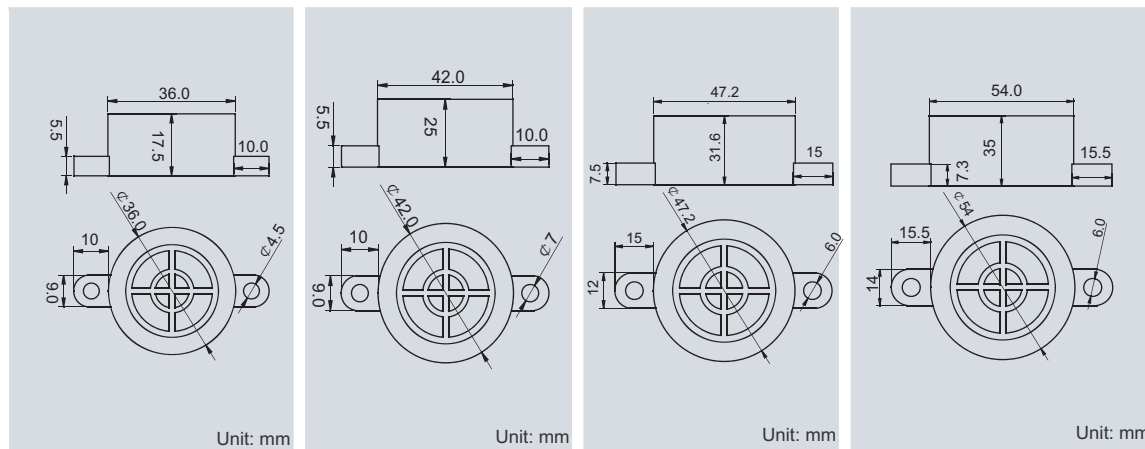
M30×1.5	M30×1.5	S41	F36	S40
Nonflush (unshielded)	Nonflush (unshielded)	Non-Flush (unshielded)	Flush (shielded)	Flush (shielded)
15.0(25.0)mm	15.0(25.0)mm	15.0/20.0mm	15.0mm	15.0mm
0...13.5(22.5)mm	0...13.5(22.5)mm	0...13.5/0...18.0mm	0...13.5mm	0...12.0mm



CPS-30PO15(25)B	CPSI/L-30PO15(25)B	CPS-S41PO15/20B	CPS-S36PO15B	CPS-S40PO20B
	CPS-30PC15(25)B	CPSI/L-30PC15(25)B	CPS-S41PC15/20B	CPS-S40PC20B
	CPS-30POC15(25)B	CPSI/L-30POC15(25)B	CPS-S41POC15/20B	CPS-S40POC20B
CPS-30NO15(25)B	CPSI/L-30NO15(25)B	CPS-S41NO15/20B	CPS-S36NO15B	CPS-S40NO20B
	CPS-30NC15(25)B	CPSI/L-30NC15(25)B	CPS-S41NC15/20B	CPS-S40NC20B
	CPS-30NOC15(25)B	CPSI/L-30NOC15(25)B	CPS-S41NOC15/20B	CPS-S40NOC20B
CPS-30AO15(25)C	CPS-30AC15(25)C	CPS-S41AO15/20C	CPS-S36AO15C	CPS-S40AO20C
		CPS-S41AC15/20C	CPS-S36AC15C	CPS-S40AC20C

Rated operational voltage(DC/AC)	24V DC/220V AC	24V DC/220V AC	24V DC/220V AC	24V DC/220V AC	24V DC/220V AC
Supply voltage(DC/AC)	10-30V DC/90-250V AC	10-30V DC/90-250V AC	10-30V DC/90-250V AC	10-30V DC/90-250V AC	10-30V DC/90-250V AC
Voltage drop	≤2.0V	≤2.0 V	≤2.0 V	≤2.0 V	≤2.0 V
Rated insulation voltage	≥20MΩ	≥20MΩ	≥20MΩ	≥20MΩ	≥20MΩ
Load current capacity(DC/AC)	200mA/300mA	200mA/300mA	200mA/300mA	200mA/300mA	200mA/300mA
Off-state current (NPN/PNP)	≤10 mA	≤10 mA	≤15 mA	≤15 mA	≤15 mA
Leak current	≤20 μA	≤20 μA	≤20 μA	≤20μA	≤20 μA
Against polarity reversal	YES	YES	YES	YES	YES
Repeated accuracy	≤5%	≤5%	≤5%	≤5%	≤5%
Ambient temperature range	-25...+70℃	-25...+70℃	-25...+70℃	-25...+70℃	-25...+70℃
Frequency (DC 3 wires/ AC 2 wires)	30Hz/10Hz/10Hz	30Hz/10Hz/10Hz	30Hz/10Hz/10Hz	30Hz/10Hz/10Hz	30Hz/10Hz/10Hz
Function indication	Red LED Indicator	Red LED Indicator	Red LED Indicator	Red LED Indicator	Red LED Indicator
IP ratings (IEC60529)	IP67	IP67	IP67	IP67	IP67
Housing material	Brass nickle plated	Brass nickle plated	Brass nickle plated	Brass nickle plated	Brass nickle plated
Material of sensing face	ABS	ABS	ABS	ABS	ABS
Connection	Wires	Connector	Wires	Wires	Wires
No. of wires × gauge	12×0.16mm		12×0.16mm	12×0.16mm	
Standard length of cable	2m	2m	2m	2m	
Plug-in connector	/	C12-I/L-F-3/4-A/B	/	/	/

Diension	F36	F42	F47	F54
Installation	Non-Flush (unshielded)	Non-Flush (unshielded)	Non-Flush (unshielded)	Non-Flush (unshielded)
Mounting distance Sn	15mm	20mm	20mm	25mm
Detect distance Sa	0...13.5mm	0...18mm	0...18mm	0...22.5mm



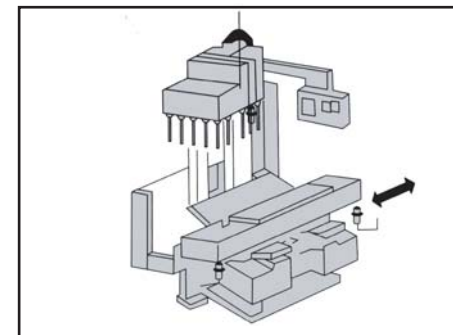
PNP	DC 3 wires	NO	CPS-F36PO15B	CPS-F42PO20B	CPS-F47PO20B	CPS-F54PO25B
		NC	CPS-F36PC15B	CPS-F42PC20B	CPS-F47PC20B	CPS-F54PC25B
NPN	DC 3 wires	NO	CPS-F36NO15B	CPS-F42NO20B	CPS-F47NO20B	CPS-F54NO25B
		NC	CPS-F36NC15B	CPS-F42NC20B	CPS-F47NC20B	CPS-F54NC25B
	DC 4 wires	NO+NC	CPS-F36POC15B	CPS-F42POC20B	CPS-F47POC20B	CPS-F54POC25B
		NO+NC	CPS-F36NOC15B	CPS-F42NOC20B	CPS-F47NOC20B	CPS-F54NOC25B
	DC 2 wires	NO				
		NC				
	AC 2 wires	NO		CPS-F42AO20C	CPS-F47AO20C	CPS-F54AO25C
		NC		CPS-F42AC20C	CPS-F47AC20C	CPS-F54DC25C

Rated operational voltage(DC/AC)	24V DC	24V DC/220V AC	24V DC/220V AC	24V DC/220V AC
Supply voltage(DC/AC)	10-30V DC	10-30V DC/90-250V AC	10-30V DC/90-250V AC	10-30V DC/90-250V AC
Voltage drop	≤2 V	≤2 V	≤2 V	≤2 V
Rated insulation voltage	≥20MΩ	≥20MΩ	≥20MΩ	≥20MΩ
Load current capacity(DC/AC)	200mA	200mA/300mA	200mA/300mA	200mA/300mA
Off-state current (NPN/PNP)	≤11 mA	≤11 mA	≤11 mA	≤10 mA
Leak current	≤20 μA	≤20 μA	≤20 μA	≤20 μA
Against polarity reversal	YES	YES	YES	YES
Load capacity	≤0.5 μF	≤0.5 μF	≤0.5 μF	≤0.5 μF

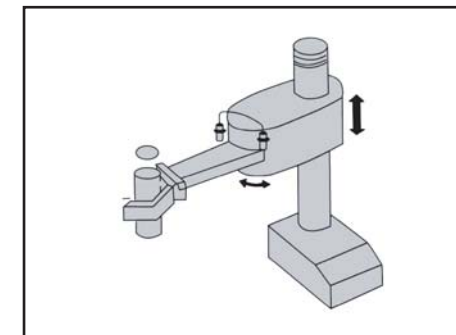
Repeated accuracy	≤5%	≤5%	≤5%	≤5%
Ambient temperature range	-25...+70℃	-25...+70℃	-25...+70℃	-25...+70℃
Load current capacity(DC/AC)	30Hz/10Hz	30Hz/10Hz	30Hz/10Hz	30Hz/10Hz
Function indication	Red LED Indicator	Red LED Indicator	Red LED Indicator	Red LED Indicator

IP ratings	IP67	IP67	IP67	IP67
Housing material	ABS	ABS	ABS	ABS
Material of sensing face	ABS	ABS	ABS	ABS
Connection	Wires	Wires	Wires	Wires
No. of wires × gauge	12×0.16mm	12×0.16mm	12×0.16mm	12×0.16mm
Standard length of cable	2m	2m	2m	2m
Plug-in connector	/	/	/	/
Approvals	CE	CE	CE	CE

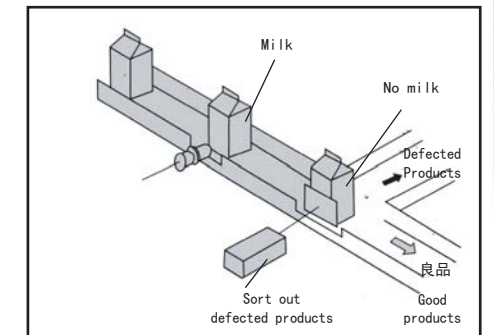
- 1.For connection drawing, please refer to instruction manual.
- 2.Cable and housing of proximity sensor can be special ordered.
- 3.AC 24~250V can be special ordered.



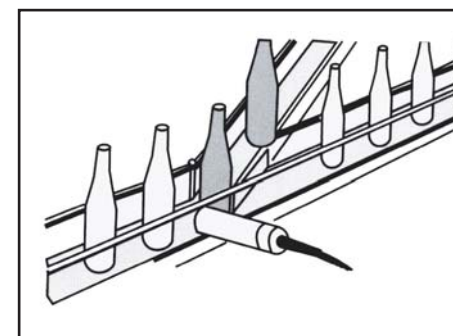
Position processing works



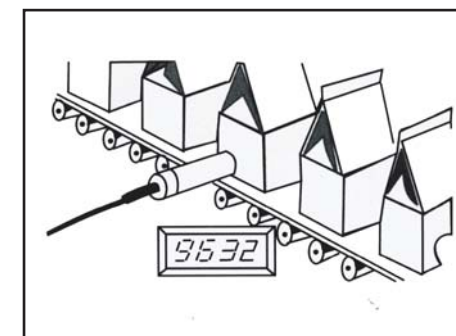
Detect robot arm position



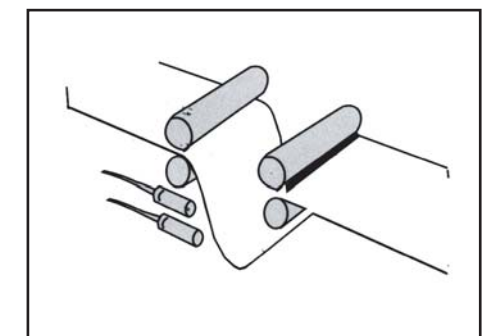
Detect and sort out defected products



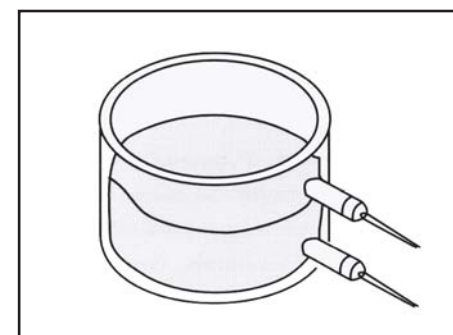
Detect and sort out defected products



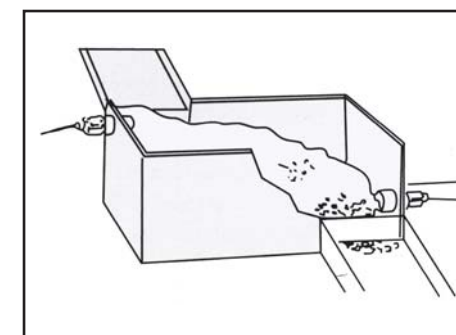
Count products on production line



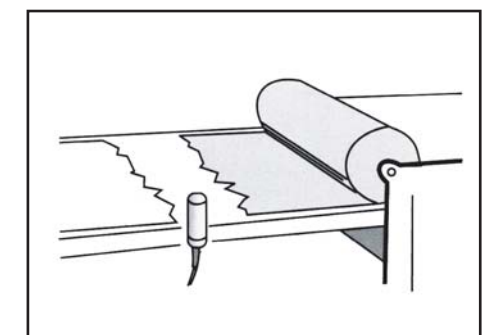
Detect the tightness of conveying belt



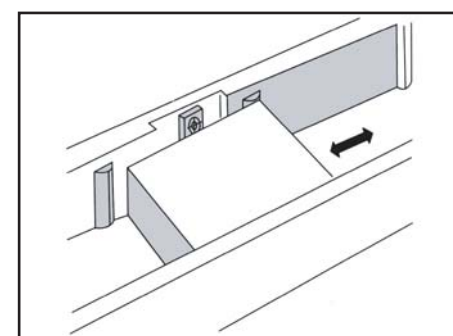
Detect capacity of container liquid



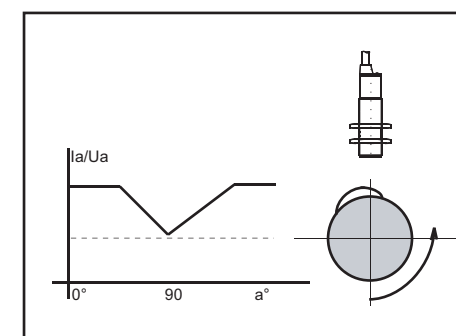
Detect capacity of container powder objects



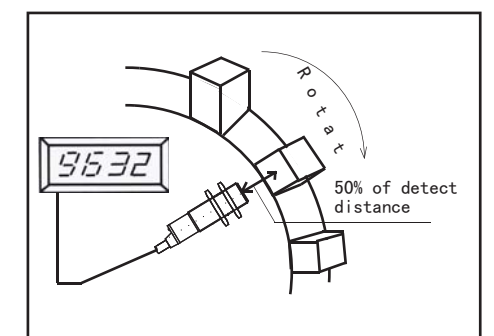
Detect breaking point of objects



Detect volume of objects



Detect heaving, sinking and excursion of globate objects



Measuring tachometer speed