

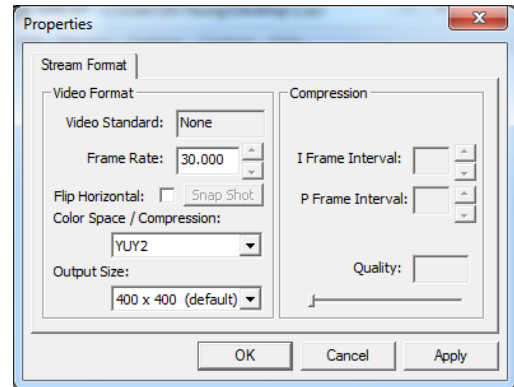
Introduction:

C8202A is an advanced module for interfacing muC30x series camera from COMedia. It is USB UVC compatible, good for those people has already had application software. It outputs YUV422 format such that users can manipulate the image data for specific application.

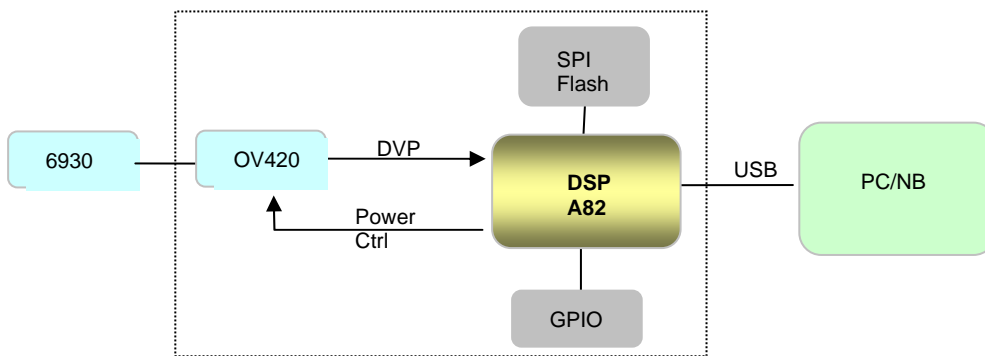


Key Features

- ✓ UVC compatible, no driver is needed for win7, win10
- ✓ Good for some kernel of Linux OS
- ✓ Output 400x400pixels at 30fps
- ✓ YUV422 for video data output
- ✓ LED to indicate operation status
- ✓ Enter sleep mode when no data streaming
- ✓ Simple operation for AWB
- ✓ Mini USB connector
- ✓ Powered by USB port



Block Diagram



GPIO and Keys Design

1. Status LED to indicate the working status: power on, standby and streaming
2. Key 1: for AWB

Electrical characteristics

	Condition	Typ.	Unit
Operation voltage	Supply by PC USB port	5	V
Operation current	Video streaming	79	mA
Standby current	No streaming but plugged in PC	55	mA

Mechanical Dimension

