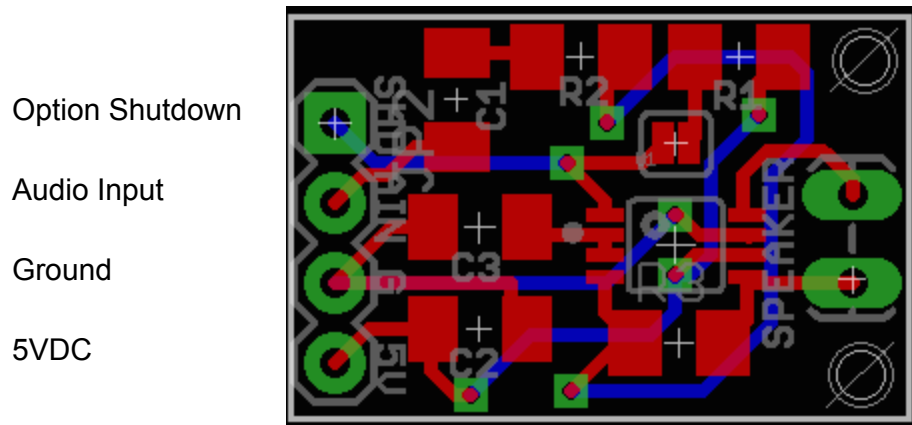


Pin out update for the Amp1W.

During our initial production run of amplifier units, a mistake was made which cause the pin labels on the board to be incorrect. This document details the correct pinouts. **PLEASE MAKE SURE YOU FOLLOW THIS AND NOT THE LABELS TO AVOID DAMAGING THE MODULE.**

**Correct pin outs:**



Note: **Both power ground and audio ground must be connected to the ground pin.**

**Shutdown is disabled by default so this pin does not need to be connected.**