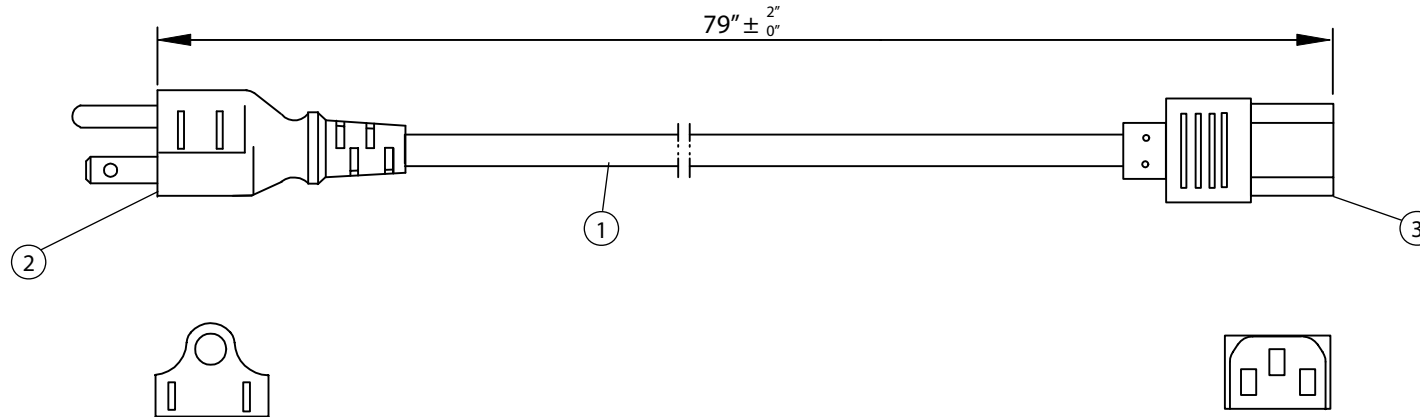


THESE DRAWINGS ARE THE PROPERTY OF QUALTEK ELECTRONICS AND NOT TO BE REPRODUCED FOR OR COMMUNICATED TO A THIRD PARTY WITHOUT THE EXPRESS WRITTEN PERMISSION OF AN OFFICER OF QUALTEK ELECTRONICS.

| REVISION |                   |          |          |
|----------|-------------------|----------|----------|
| REV.     | DESCRIPTION       | DATE     | APPROVED |
| B        | RoHS Compliancy   | 06-01-06 | D.P.     |
| C        | Updated Approvals | 02-03-09 | LY       |
|          |                   |          |          |



NOTES:

1. CORDAGE: SJT, 18AWG / 3C, UNSHIELDED, CEE COLOR CODE, TEMP. RATING: 60°C, RATING: 125V 10A, JACKET COLOR: BLACK
2. PLUG: NEMA 5-15P
3. CONNECTOR: IEC 60320 C13
4. APPROVALS: UL, CSA
5. ROHS COMPLIANT

**CONTROLLED**

| Dim range (mm) |  | Tolerance +/- (mm) |  | Qualtek Electronics Corp.<br>PPC DIVISION   |                |                 |
|----------------|--|--------------------|--|---|----------------|-----------------|
| 0-1            |  | 0.15               |  | Part Number: 312007-01 <span style="border: 1px solid green; padding: 2px;">RoHS Compliant</span> |                |                 |
| 1-6            |  | 0.20               |  | Description: POWER CORD   |                |                 |
| 6-18           |  | 0.30               |  | UNIT: in REV. C   |                |                 |
| 18-50          |  | 0.50               |  | Approved / Date   |                |                 |
| 50-120         |  | 0.70               |  | Drawn / Date  | Checked / Date | Approved / Date |
| 120-250        |  | 0.90               |  | S.TSAI<br>10-28-01  | 10-28-01       | JJH / 10-28-01  |
| 250-500        |  | 1.20               |  |   |                |                 |

# Mouser Electronics

Authorized Distributor

Click to View Pricing, Inventory, Delivery & Lifecycle Information:

[Qualtek:](#)

[312007-01](#)