



3FR-4
FULL-RANGE
3" SPEAKER DRIVER
4 OHM

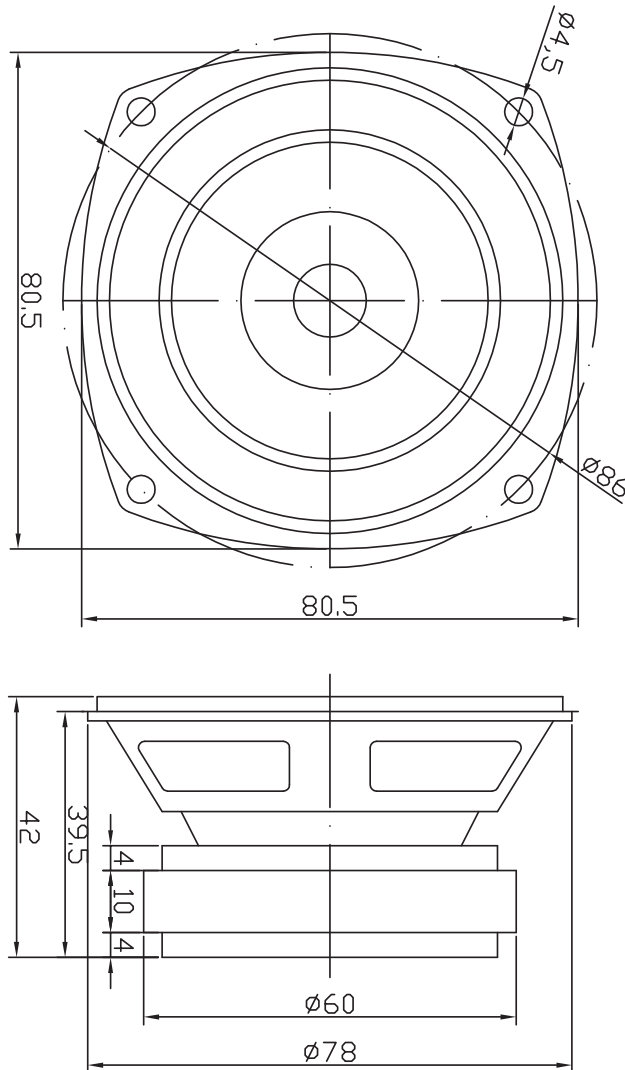
FEATURES

- Coated paper cone with foam surround for natural response
- Pin cushion-shape frame with front gasket
- Ideal replacement driver for many existing speaker systems
- Great replacement speaker

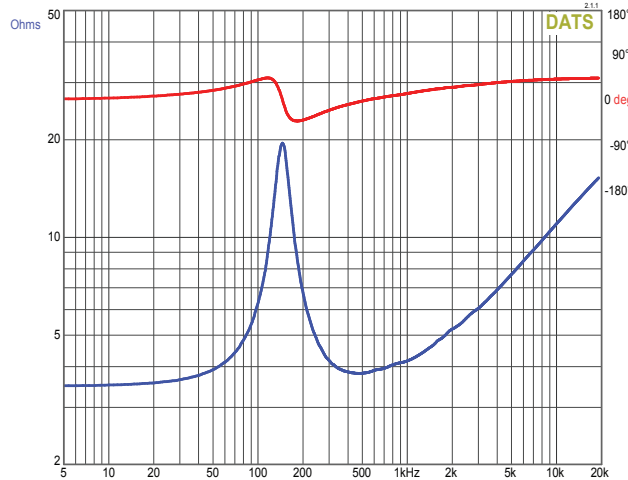
PARAMETERS

Impedance	4 ohms
Re	3.5 ohms
Le	0.4 mH
Fs	145 Hz
Qms	4.76
Qes	1.03
Qts	0.85
Mms	3.0 g
Cms	0.40 mm/N
Sd	31.2 cm ²
Vd	6 cm ³
BL	3.0 Tm
Vas	0.6 liters
Xmax	2 mm
VC Diameter	19 mm
SPL	88 dB @ 2.83V/1m
RMS Power Handling (AES 426B)	10 watts
Usable Frequency Range (Hz)	100 - 16,000 Hz

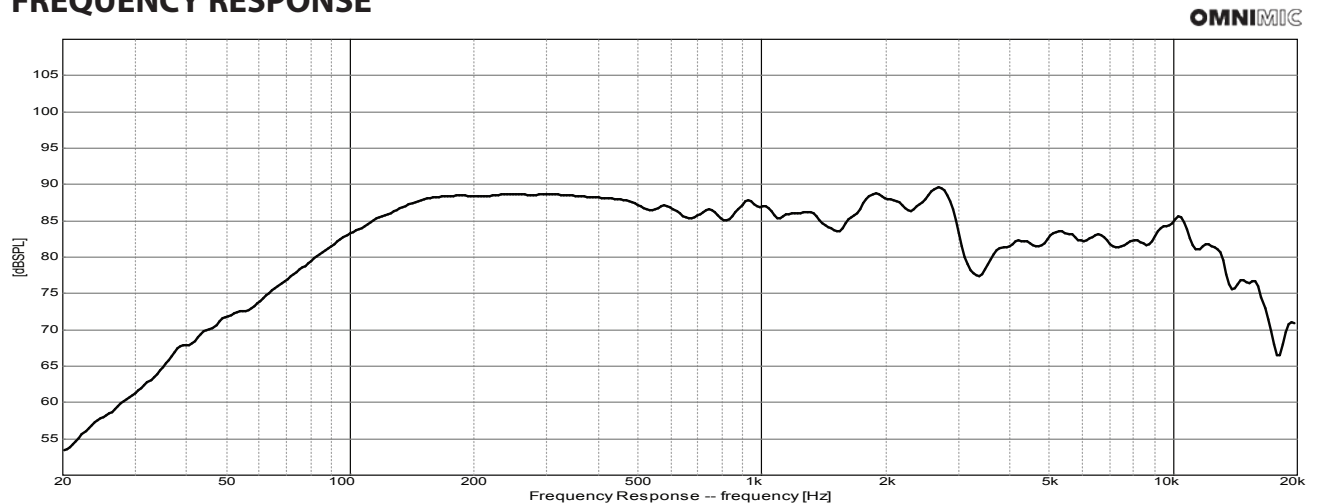
MECHANICAL DRAWING



IMPEDANCE/PHASE



FREQUENCY RESPONSE



Note: 1/24th octave smoothing - nearfield response included in graph below 450 Hz.