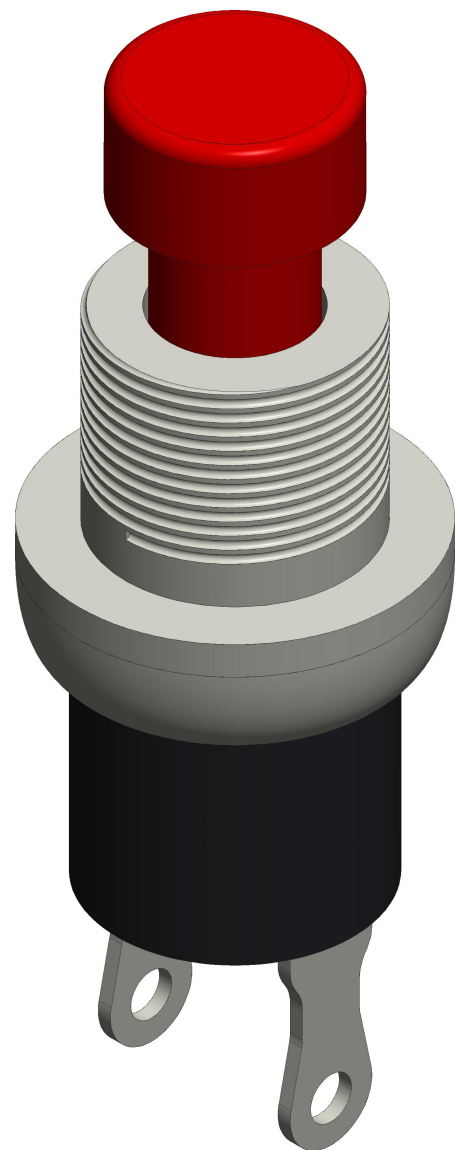


4

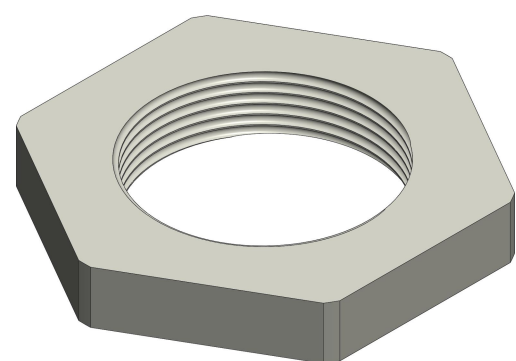
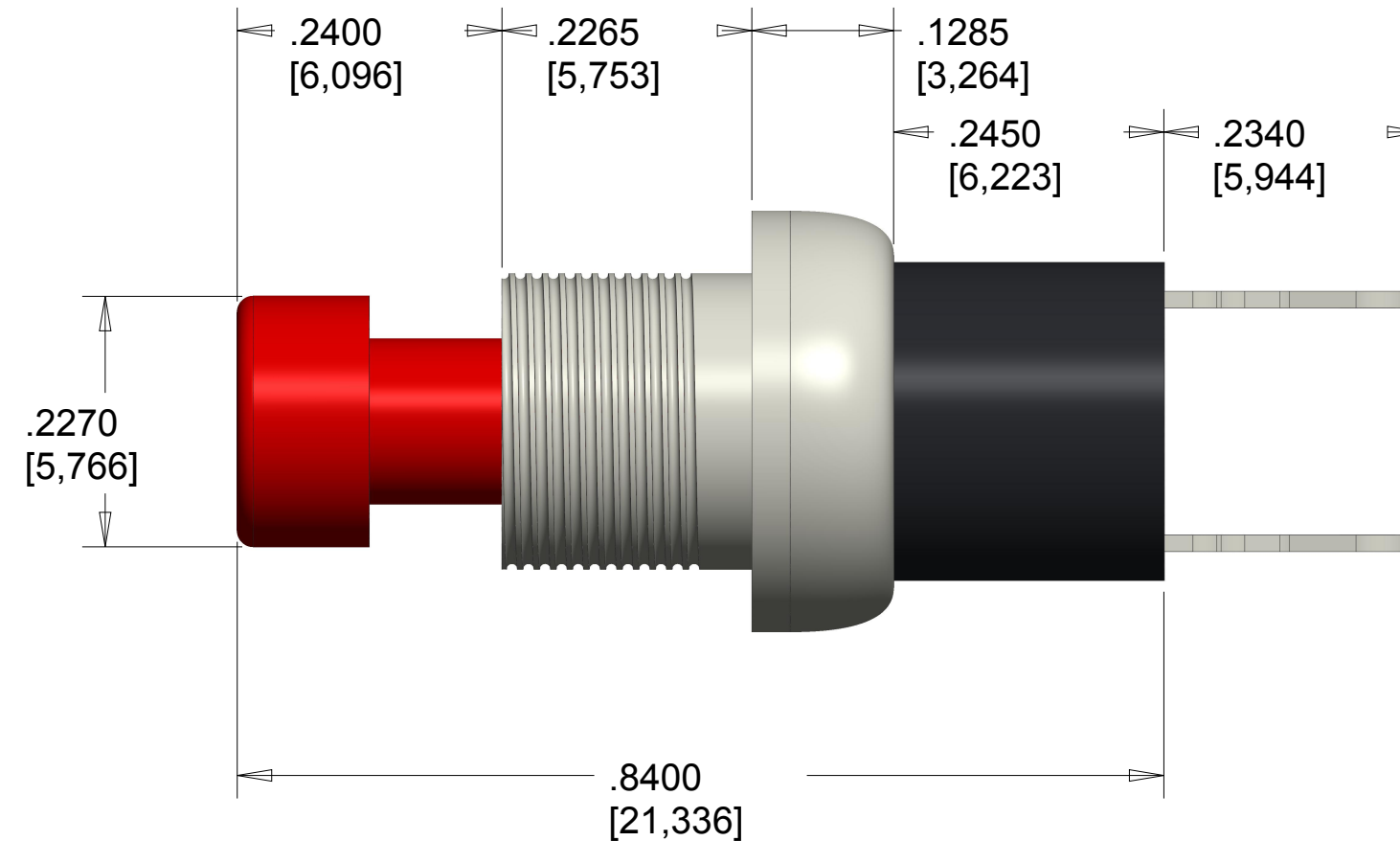
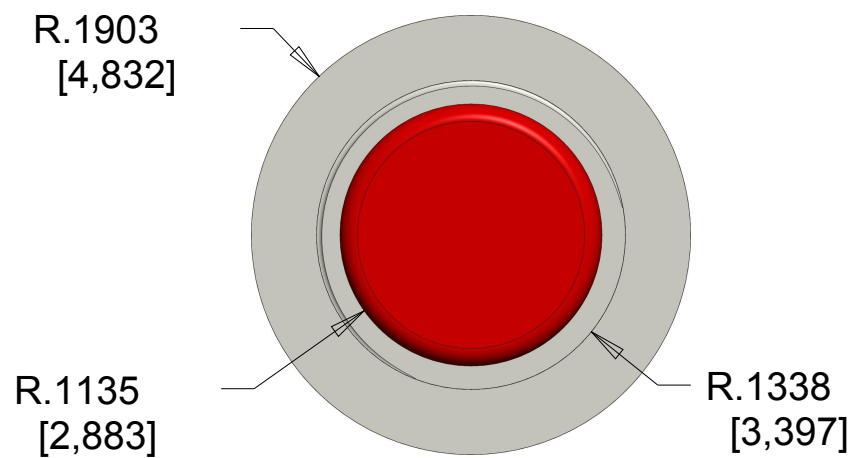
3

2

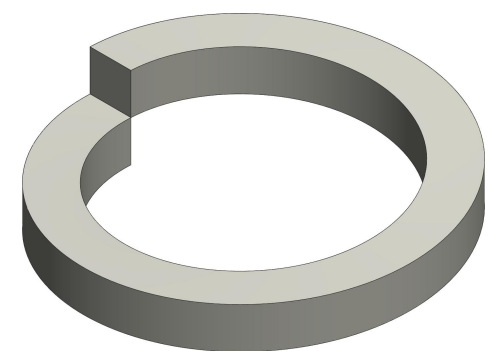
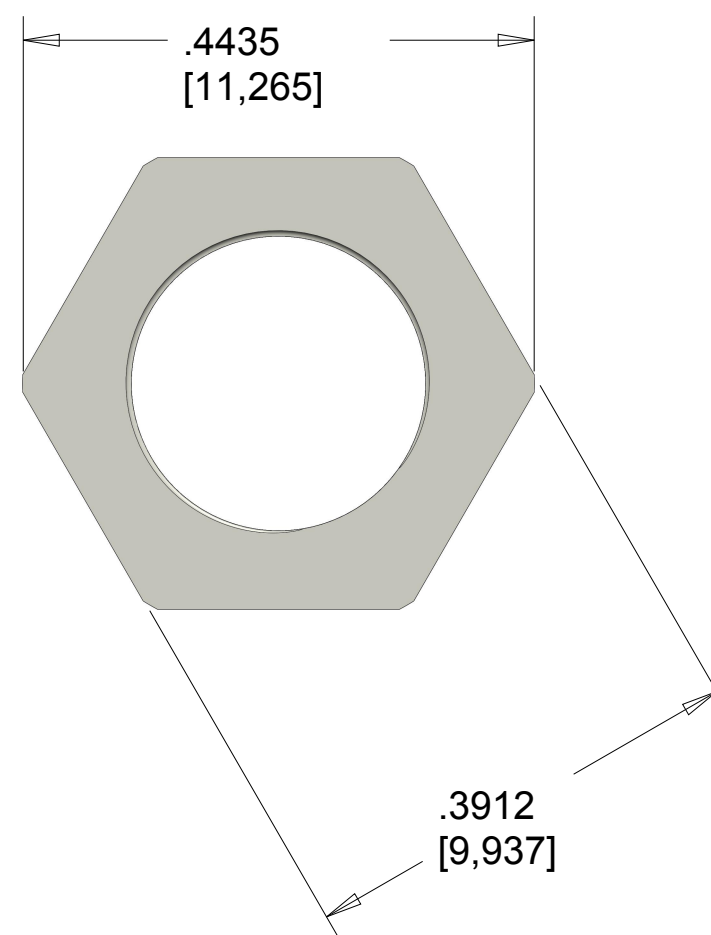
1



SCALE 6.000



SCALE 6.000



SCALE 6.000

Available in: Red, Green, Blue, Yellow, Black, and White	MATERIAL:	Metal + Plastic	MODEL NAME:	COM-11992 through COM-11997
	It's your basic red action button! This is a very useful, small, panel-mount momentary switch. It is a SPST N.O. with 1/4" threading. This button is perfect for basic On/Off functions. Overall length (including leads) is 1.06" and has small solder lugs for connection. These momentary buttons are rated up to 0.5A and 250VAC.		https://www.sparkfun.com/products/11992	
NOTES:	DESCRIPTION:			
	DRAWN BY:	Paul Smith	SCALE:	6.0
	DATE:	15 August 2013	UNITS:	inch[mm]
	CAD APPLICATION:	Creo Parametric 2.0	VER:	1.0



SHEET 1 / 1

4

3

2

1