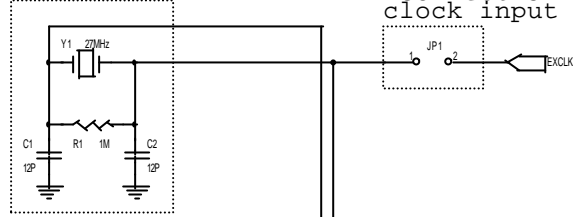
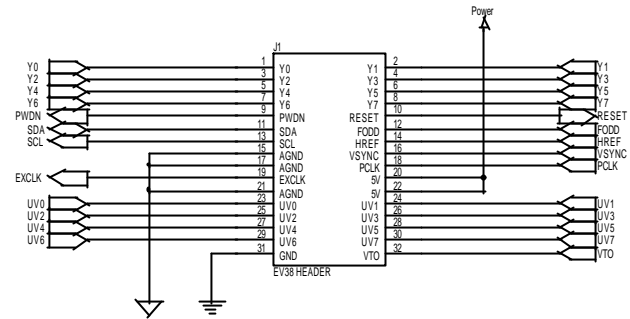


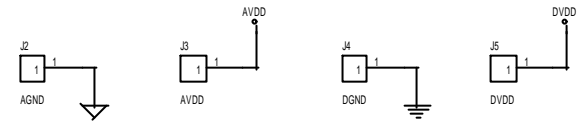
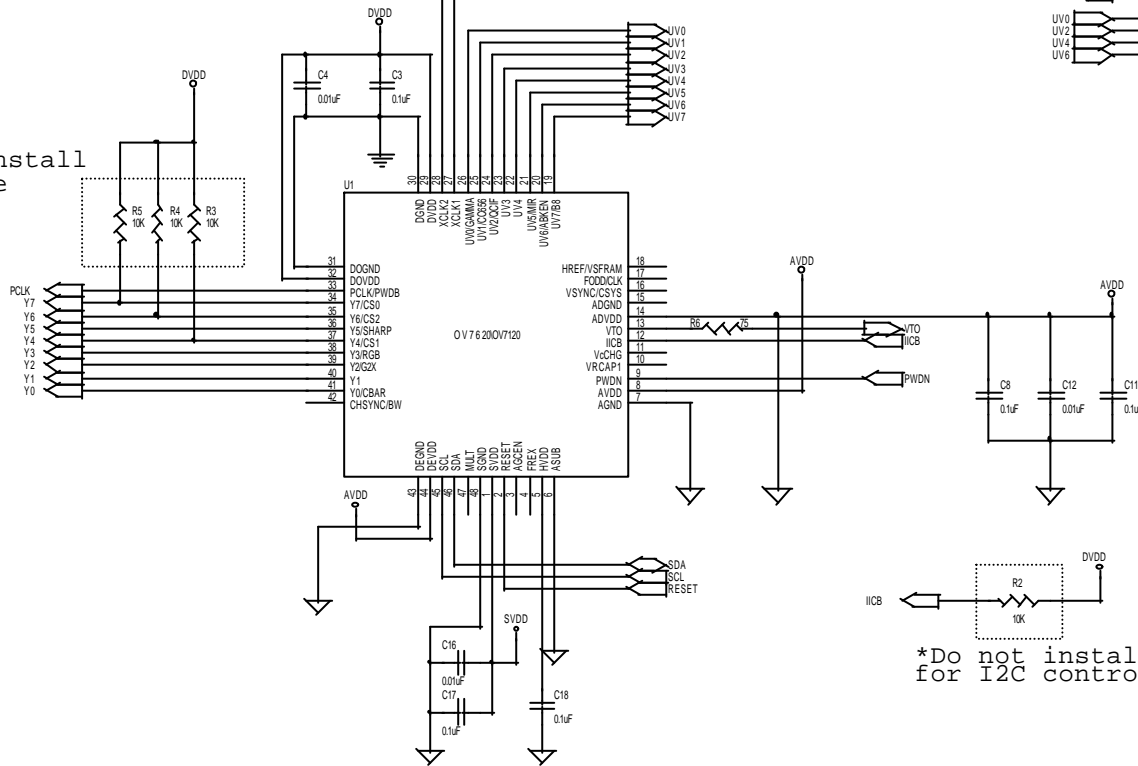
*Do not install when external clock input available.



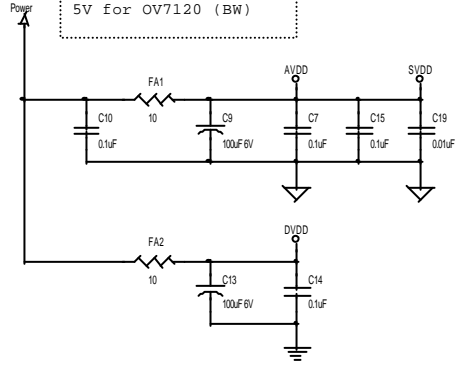
*Connect JP1 only for external clock input available.



*Do not install for single camera.



Power
5V for OV7620 (Color)
5V for OV7120 (BW)



*Do not install for I2C control.

[] : Option

Title		
C3188A/M3188A		
Size	Document Number	Rev
A3	C3188AM3188A	A
Date	Friday, January 25, 2002	Sheet 1 of 1