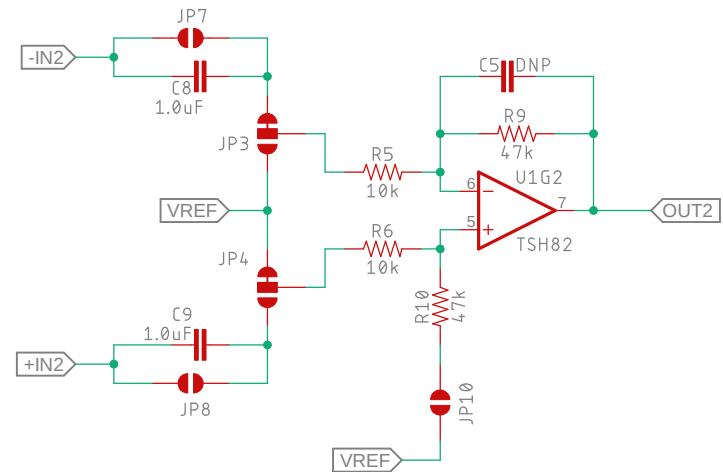
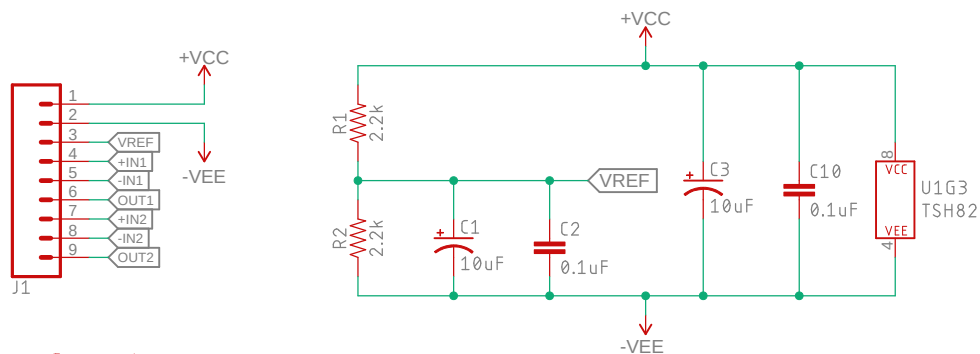


Stage 1
Default: $A_v = -4.7$, input on $-IN1$



Stage 2
Default: $A_v = -4.7$, input on $-IN2$



Connector
 $+VCC - (-VEE) = 4.5V-12V$

Power and Reference



Released under the Creative Commons
Attribution Share-Alike 4.0 License
<https://creativecommons.org/licenses/by-sa/4.0/>

TITLE: TSH82_Configurable_Op_Amp_Board

Design by:
Pete Dokter

REV:
v10

Date: 9/11/2018 11:51 AM

Sheet: 1/1