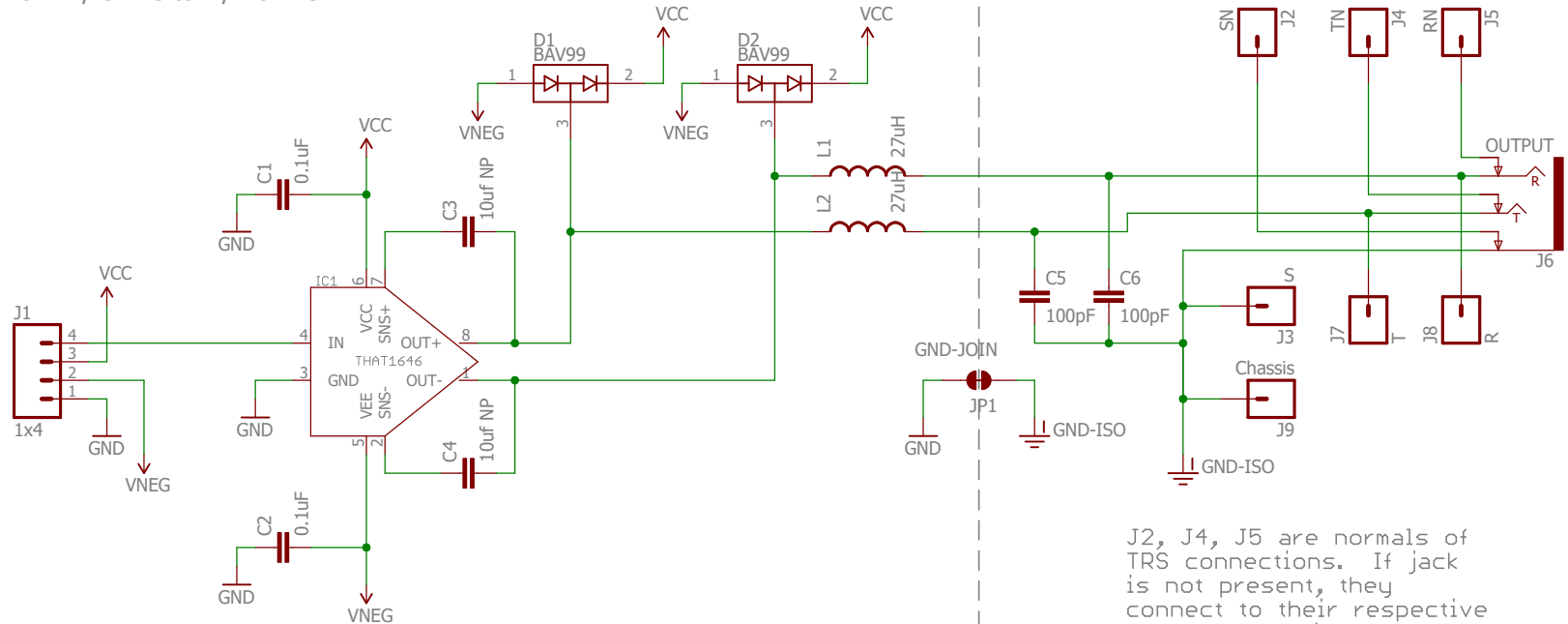


Circuit ground region | Chassis ground region

This board requires bipolar power, in the range from +/-5VDC to +/-20VDC.



J2, J4, J5 are normals of TRS connections. If jack is not present, they connect to their respective T/R/S connections. If jack is present, they float.


How to use JP1, a note on grounding & shielding:

For prototyping/breadboarding, the entire board is grounded through the output connector (J4). In that case, leave JP1 intact.

If installing in a metal enclosure, the enclosure should be tied to earth, and the shield should be tied to the enclosure as directly as possible. In this case, cut JP1, and run a heavy wire from J3 to the chassis.

This avoids the common "pin 1 problem,"
<http://www.rane.com/note151.html>
<http://www.rane.com/note165.html>



Released under the Creative Commons Attribution Share-Alike 4.0 License https://creativecommons.org/licenses/by-sa/4.0/	
TITLE: THAT_1646_Breakout 	
Design by: Byron Jacquot	REV: V10
Date: 1/27/2017 1:10 PM	Sheet: 1/1