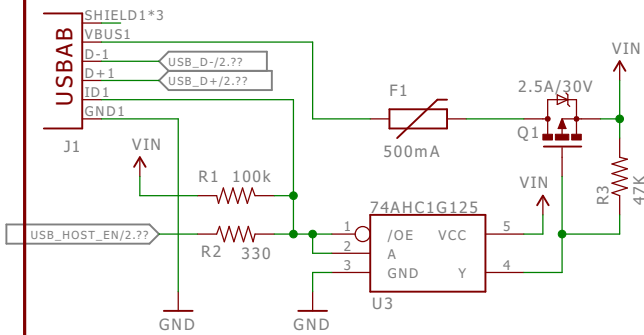
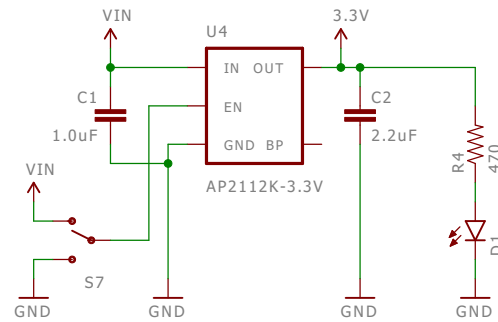


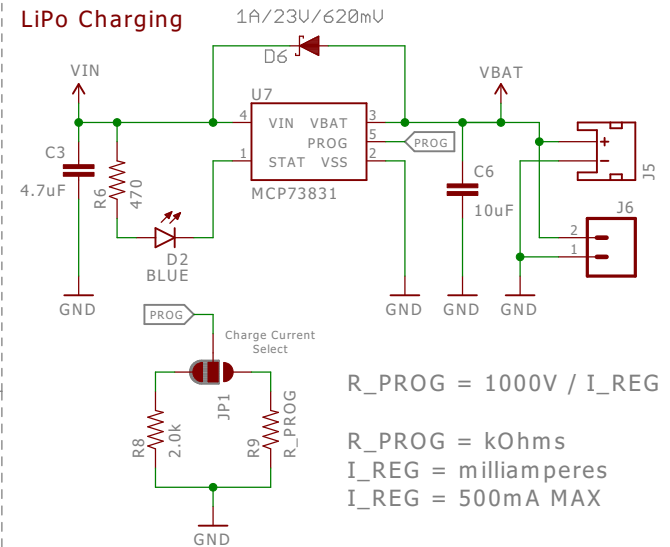
### USB



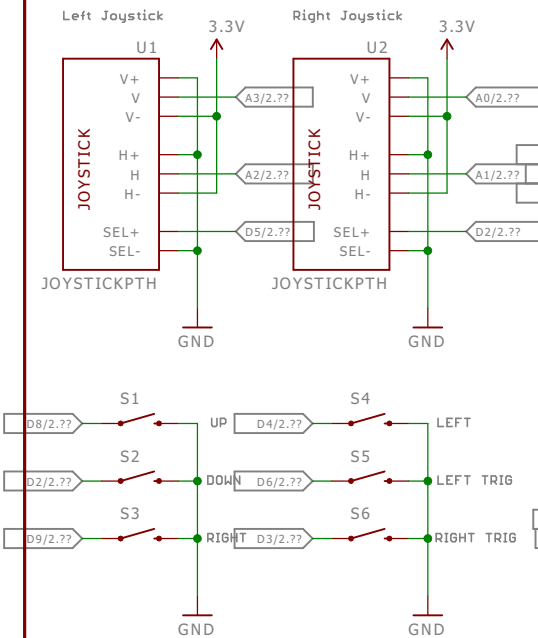
### Voltage Regulation



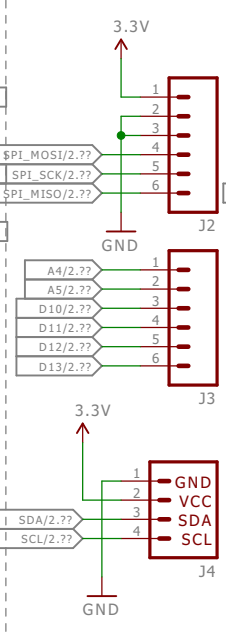
### LiPo Charging



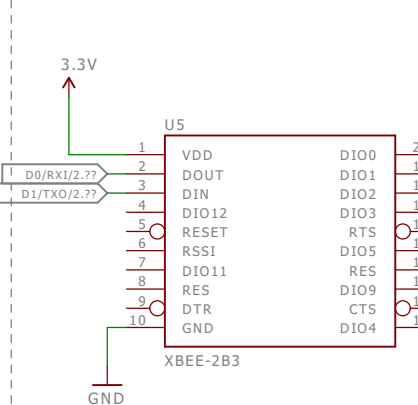
### User Interface



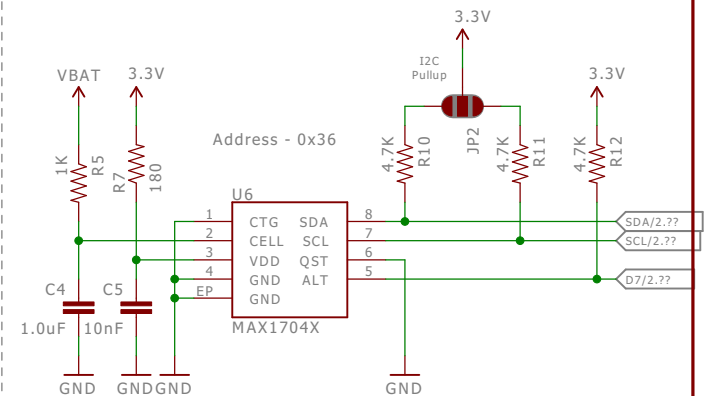
### IO Connections



### XBee Socket



### LiPo Fuel Gauge



Released under the Creative Commons

Attribution Share-Alike 4.0 License

<https://creativecommons.org/licenses/by-sa/4.0/>



TITLE: SparkFun\_Wireless\_JoyStick

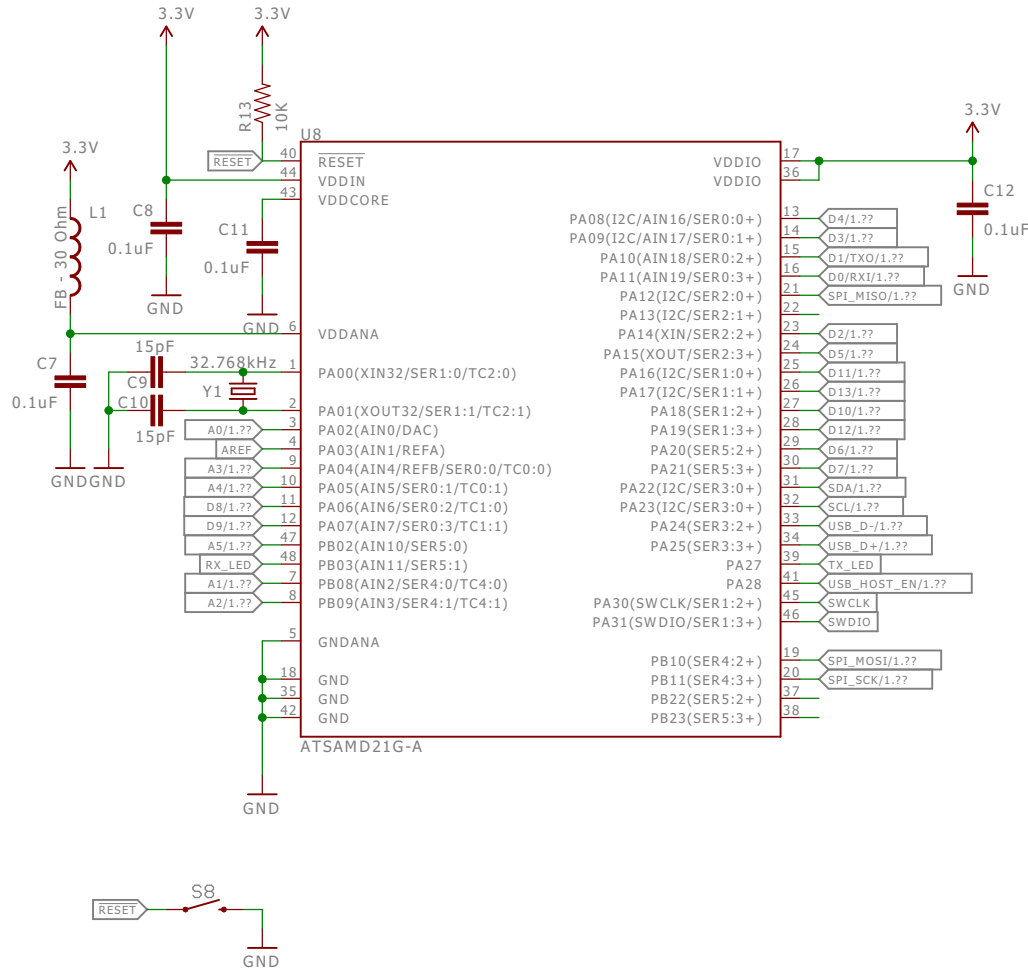
Design by: Alex Wende

REV: V10

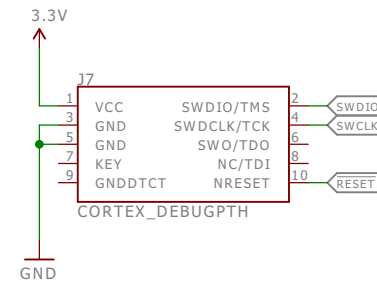
Date: 1/5/2017 4:56 PM

Sheet: 1/2

# SAMD21



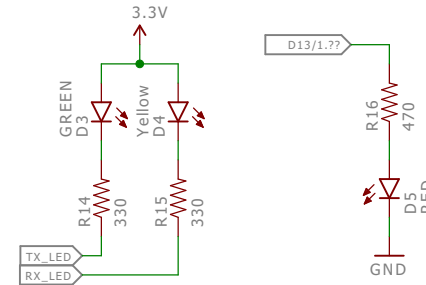
# JTAG Programmer



# Test Points



# LEDS



Released under the Creative Commons Attribution Share-Alike 4.0 License  
<https://creativecommons.org/licenses/by-sa/4.0/>

TITLE: SparkFun\_Wireless\_JoyStick

Design by: Alex Wende

REV: V10

Date: 1/5/2017 4:56 PM

Sheet: 2/2