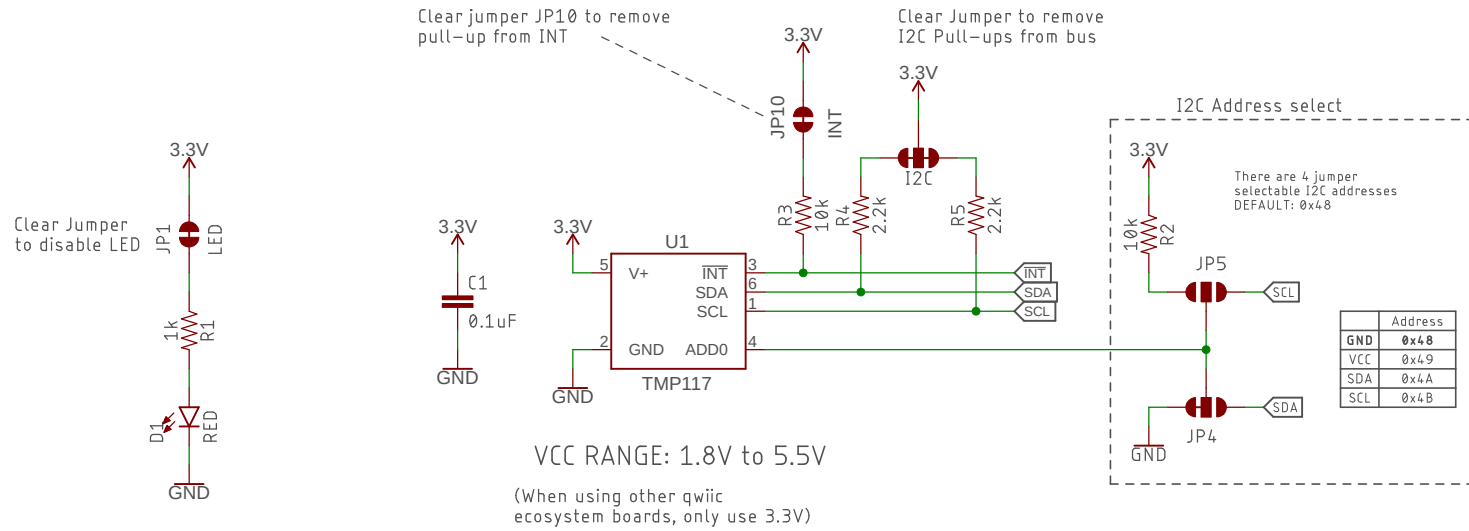
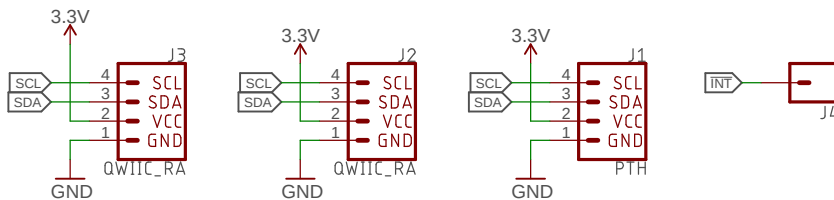


SparkFun High Precision Temperature Sensor TMP117 (Qwiic)



I2C Connections



Released under the Creative Commons Attribution Share-Alike 4.0 License
<https://creativecommons.org/licenses/by-sa/4.0/>



TITLE: Sparkfun_TMP117_Qwiic

Design by: Madison Chodikov
Revised by: Pete Lewis

REV:
v10

Date: 11/11/2019 12:56 PM

Sheet: 1/1