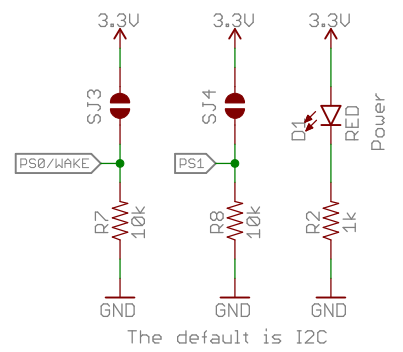
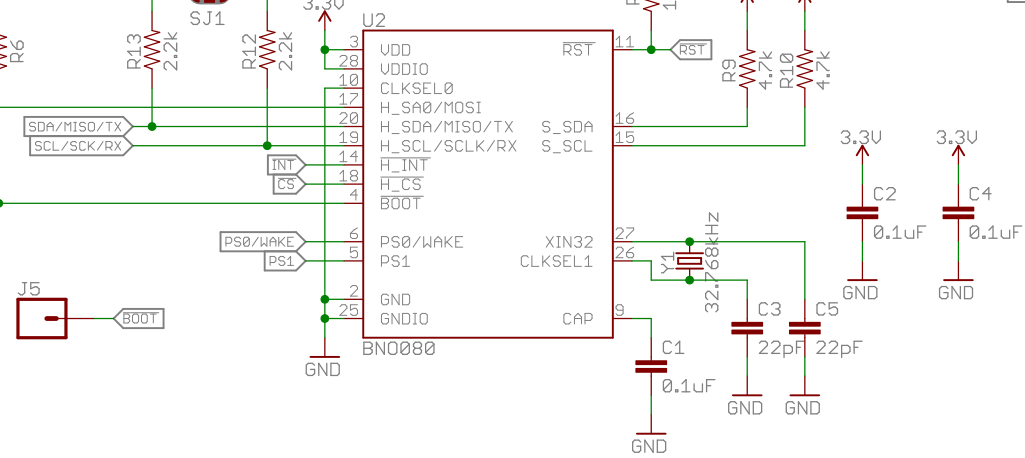
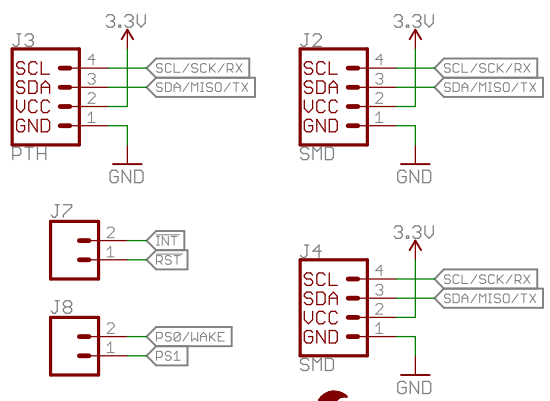


Supply Voltage: 2.4V-3.6V

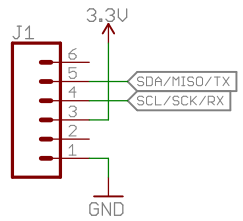


PS0	PS1	Interface
0	0	I2C
1	0	UART-RVC
0	1	UART
1	1	SPI

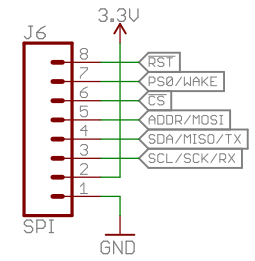
I²C



UART



SPI



Released under the Creative Commons Attribution Share-Alike 4.0 License
<https://creativecommons.org/licenses/by-sa/4.0/>

TITLE: SparkFun_Qwiic_VR_IMU_Breakout

Design by: N. Seidle
 Revision By: A. England

REV: v10

Date: 4/26/2018 10:04 AM Sheet: 1/1