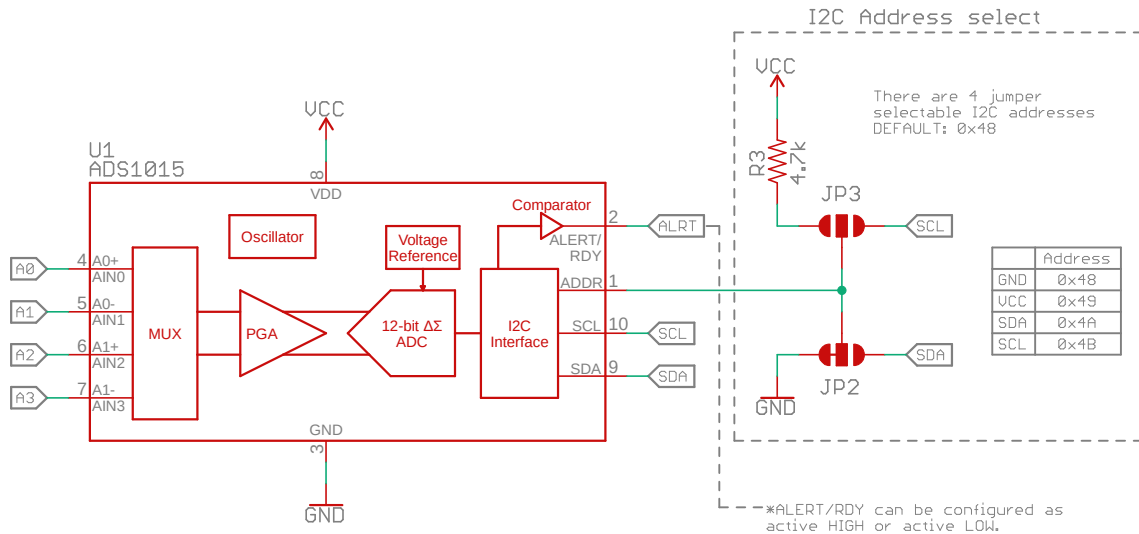


# ADC-to-I2C

VCC Range: 2.7V-5.5V

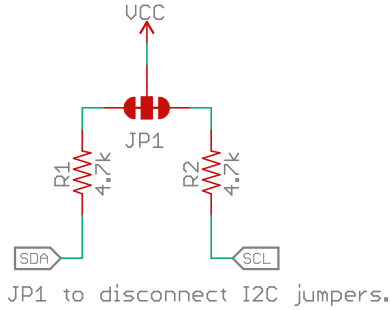
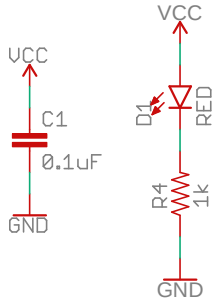


I2C Address select

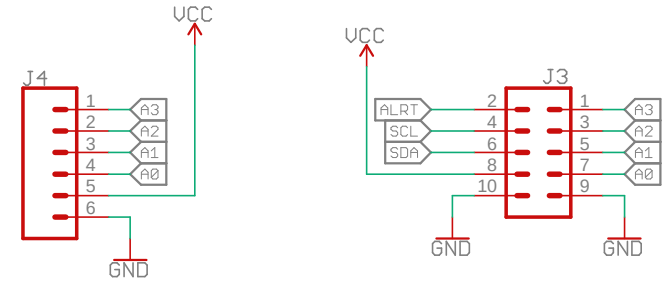
There are 4 jumper selectable I2C addresses  
DEFAULT: 0x48

Jumper	Address
GND	0x48
UCC	0x49
SDA	0x4A
SCL	0x4B

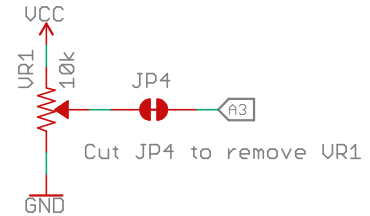
\*ALERT/RDY can be configured as active HIGH or active LOW.



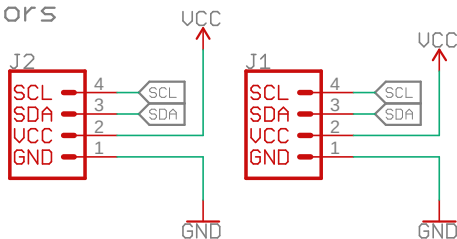
## Screwpin Terminals and PTH Headers



## Onboard Trimptot Connected to Channel A3



## Qiic Connectors



Released under the Creative Commons Attribution Share-Alike 4.0 License  
<https://creativecommons.org/licenses/by-sa/4.0/>

TITLE: SparkFun\_Qiic\_12\_Bit\_ADC\_-\_4\_Channel\_ADS1015

Design by: Pete Lewis  
 Based off of the Qiic Flex Glove Controller by A. England

REV: v10

Date: 5/22/2019 11:45 AM

Sheet: 1/1