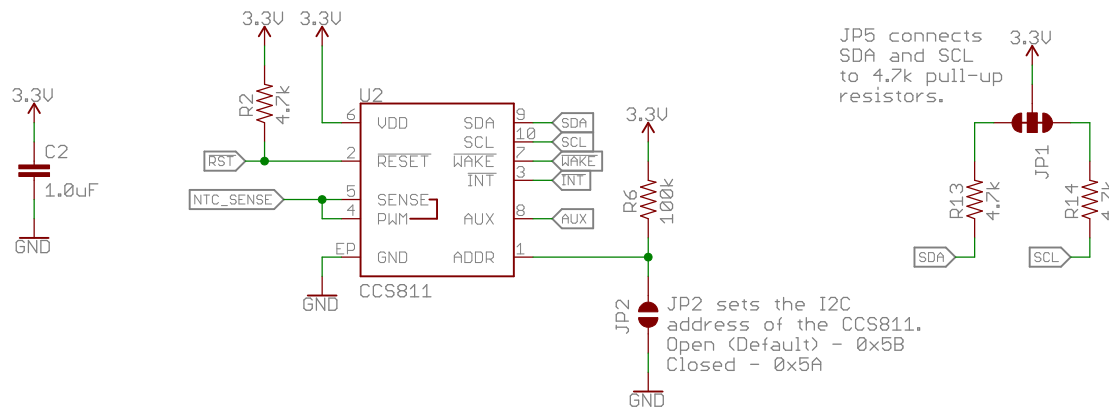


CCS811 Air Quality Breakout

Sensor (CO2 and TVOC)

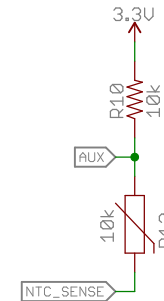


JP5 connects SDA and SCL to 4.7k pull-up resistors.

JP2 sets the I2C address of the CCS811.
Open (Default) - 0x5B
Closed - 0x5A

Thermistor

Optional external 10K thermistor
SparkFun SKU: SEN-00250



Ports

UDD Range: 1.8-3.3V
Max Current: 14mA (estimate)



Released under the Creative Commons Attribution Share-Alike 4.0 License		⊗ ○
https://creativecommons.org/licenses/by-sa/4.0/		⊗ ○
TITLE: SparkFun_CSS811_Breakout		
Design by: Nathan Seidle		REV: v10
Date: 4/12/2017 11:30 AM	Sheet: 1/1	