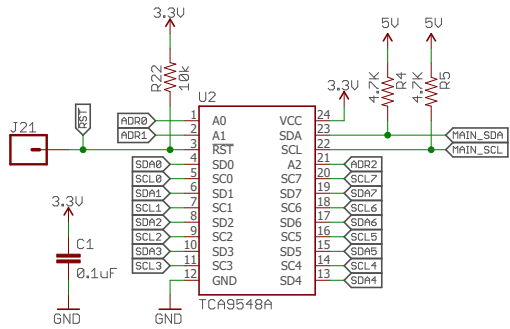
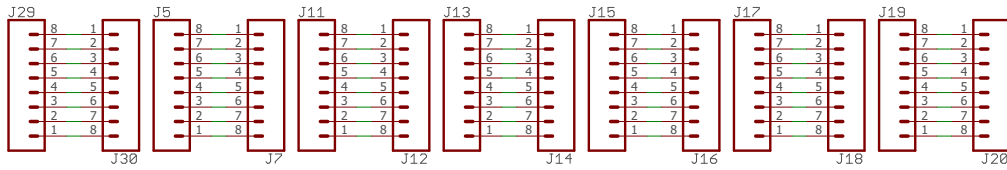
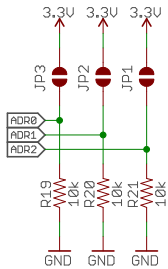


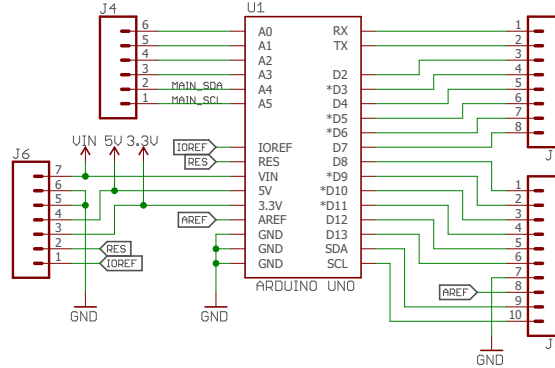
## Prototyping Connections



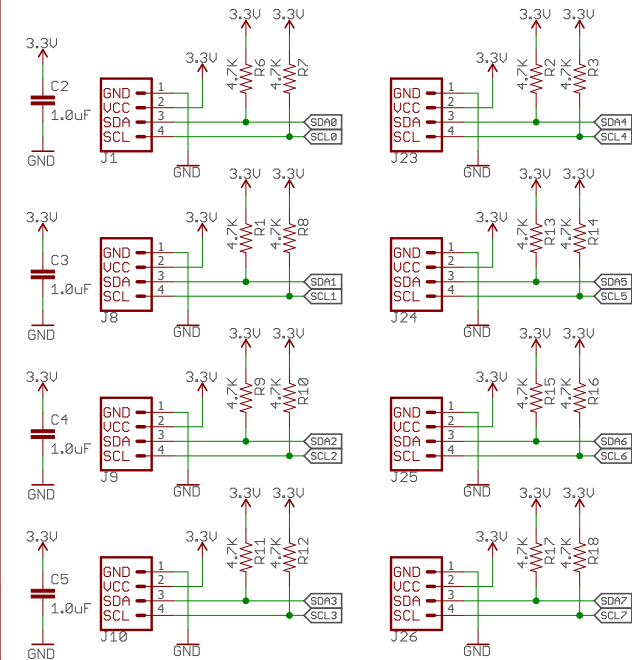
Default 7-Bit I2C Address: 0x70  
ADR lines can be set if multiple shields are needed



## Arduino



## I2C Connectors



Released under the Creative Commons Attribution Share-Alike 4.0 License  
<https://creativecommons.org/licenses/by-sa/4.0/>

TITLE: Qwiic Mux Shield for Arduino

Design by: N. Seidle

REV: X10

Date: 3/15/2017 2:10 PM

Sheet: 1/1

