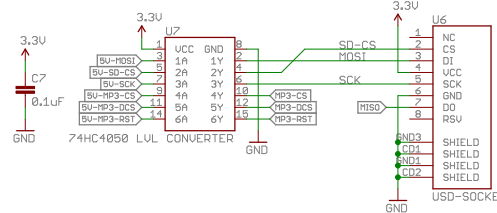


Power

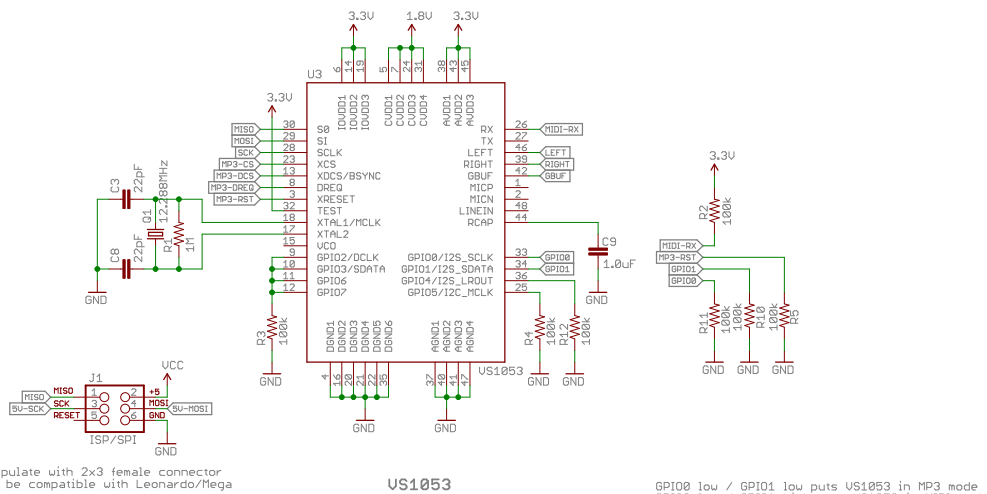


microSD

New on v1.3:
 Added microSD
 Added 74HC4050 LUL Converter
 Moved LED to 3.3V rail to load regulator

New on v1.4:
 Added solder jumper to select between GBUF and GND
 Update to Arduino R3 shield type
 Updated version code
 Added OSHW mark
 Changed all 0402 footprints to 0603 for easier optical inspection
 Added transient free line-out connection
 Added MUTE
 RST now pulled low by default
 Moved to tighter S01C FP on HEX inverter
 Touched up 3.5mm jack footprint

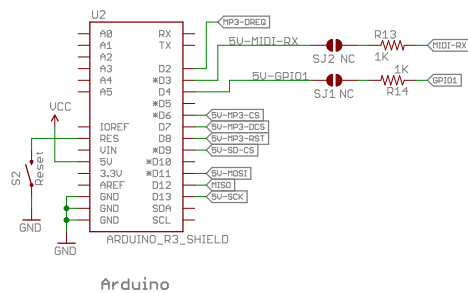
New on v1.5:
 Removed MUTE line.
 Reworked the v1.4 DC-blocking circuit,
 made it selectable via jumpers SJ3, SJ4, SJ5.



US1053

GPIO0 low / GPIO1 low puts US1053 in MP3 mode
 GPIO0 low / GPIO1 high puts US1053 in MIDI mode

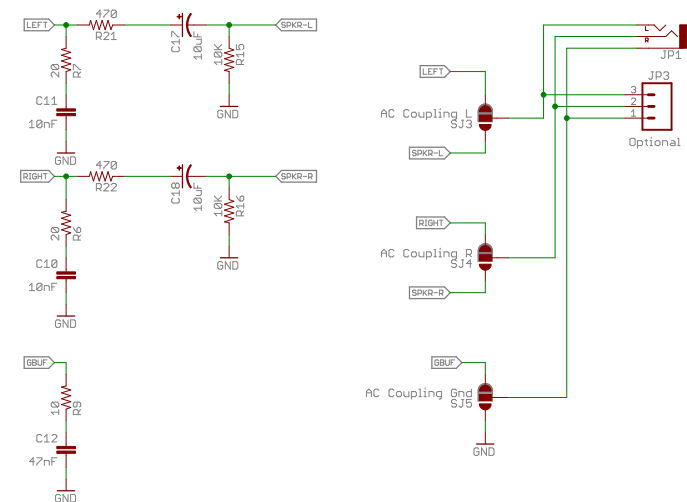
Populate with 2x3 female connector to be compatible with Leonardo/Mega



Arduino

Line Out to Speakers or Amplifier

Solder Jumpers 3, 4, 5 configure outputs:
 Default configuration: solder blob between top and middle pads for DC-coupled output to headphones or passive speakers.
 Desolder default and add solder blob between middle and bottom pads for AC-coupled line output.



Released under the Creative Commons Attribution Share-Alike 3.0 License
<http://creativecommons.org/licenses/by-sa/3.0>

TITLE: MP3 Shield_v15	SFE
Design by: C. Taylor, N. Seidle	REV: v1.5
Revision By: Byron Jacquot	
Date: 11/17/2014 9:57:44 AM	Sheet: 1/1