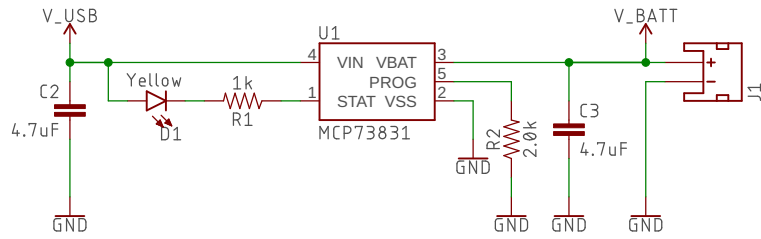
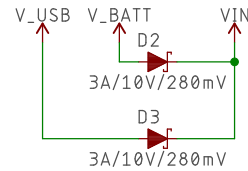


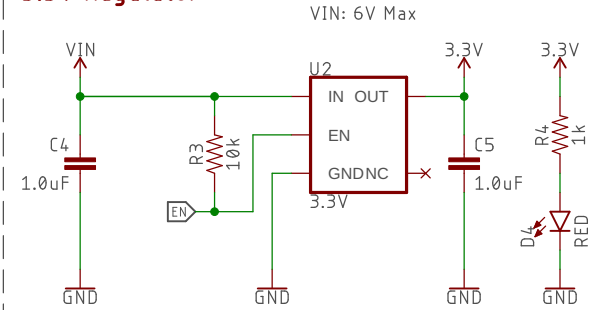
USB/LiPo Charger



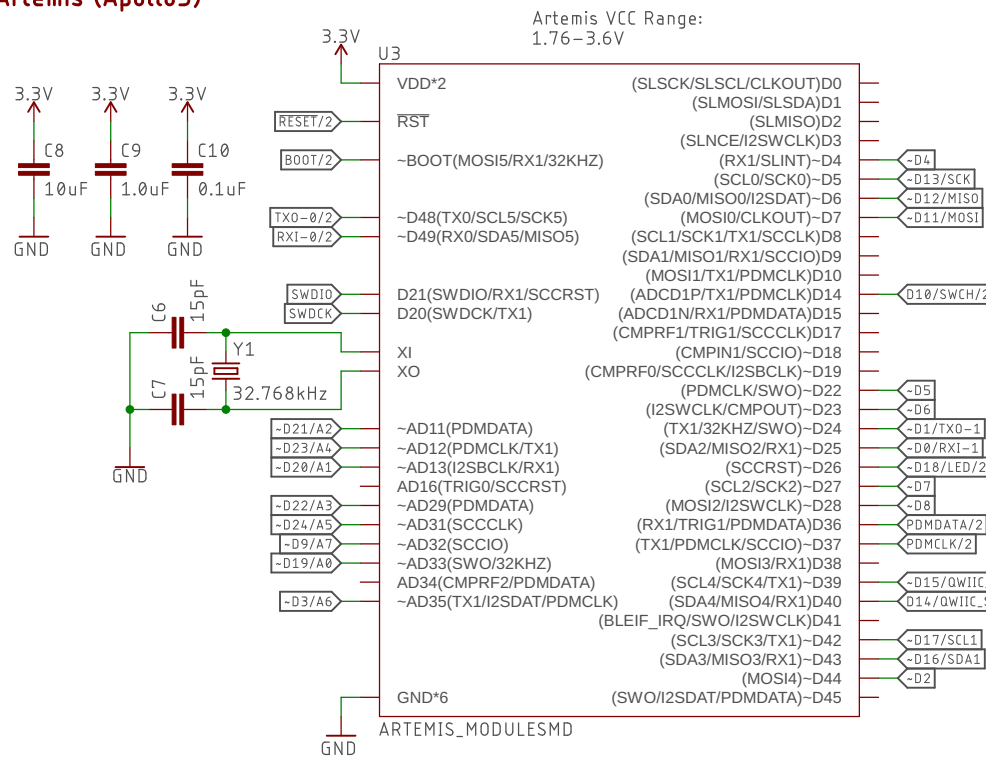
Power Source Select



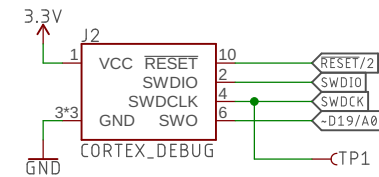
3.3V Regulator



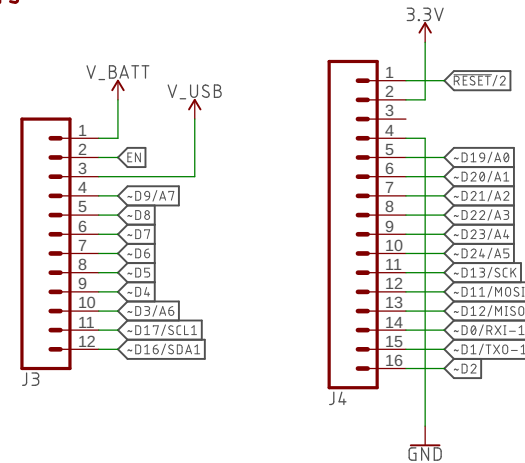
Artemis (Apollo3)



SWD Program/Debug Interface



Headers



Released under the Creative Commons

Attribution Share-Alike 4.0 License

<https://creativecommons.org/licenses/by-sa/4.0/>



TITLE: Artemis Thing Plus

Design by: Alex Wende

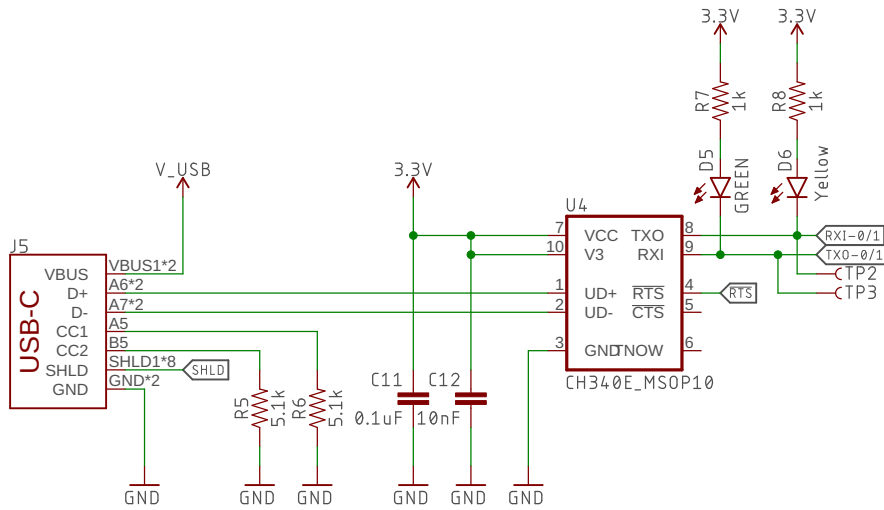
REV:
v10

Date: 9/4/2019 2:00 PM

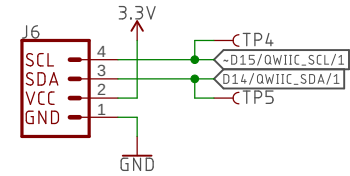
Sheet: 1/2



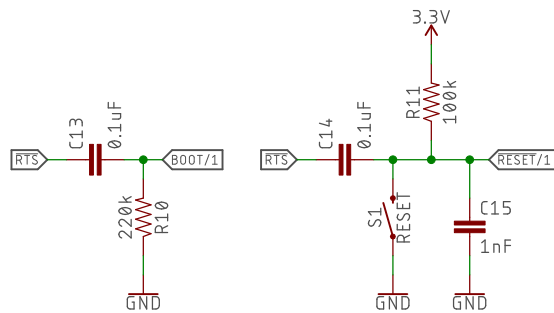
USB-to-Serial Converter



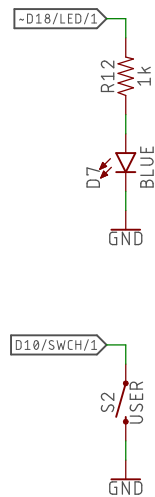
I2C/Qwiic



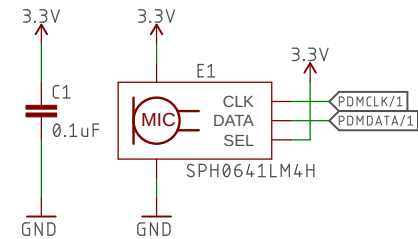
Bootloader Reset Circuit



User LED and Button



Microphone



Released under the Creative Commons Attribution Share-Alike 4.0 License
<https://creativecommons.org/licenses/by-sa/4.0/>

TITLE: Artemis Thing Plus

Design by: Alex Wende

REV:
>REV

Date: 9/4/2019 2:00 PM

Sheet: 2/2