



UL 1007 HOOK-UP WIRE

80°C 300V PVC 環保電子線

UL Subject: 758
CSA Standard

UL FILE NO: E108485
CSA FILE NO: LL84687

說明:

- 導體使用單條或絞線 32-16AWG 裸銅或鍍錫銅
- 環保 PVC 絕緣
- 額定溫度: 80°C, 額定電壓: 300Volts
- 可通過 UL VW-1 及 CSA FT1, 垂直型耐燃測試

應用:

- 一般電子, 電器設備內部配線

Applications:

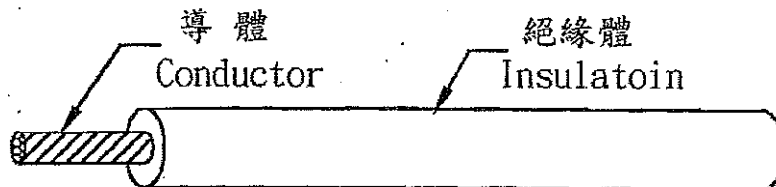
- For general purpose internal wiring of electrical and electrical equipment

Product Description:

- Tinned annealed stranded or solid copper conductor. 32-16AWG
- Lead Free PVC insulation.
- Rated temperature: 80°C. Rated Voltage: 300 volts.
- Passes UL VW-1 & CSA FT1 vertical flame test.

構造及電氣性能

structure & electric properties



UL 1007 CSA TR-64	額定 Range		導體 Conductor		絕緣體 Insulation		公差值 Tolerance mm	最大導體 阻抗 Maximum Conductor Resistance Ω/km	最小絕緣 阻抗 Minimum Insulation Resistance MΩ/km	絕緣耐 電壓 (VAC/min) Insulation Potential Strength
	溫度 Temp °C	電壓 Voltage V.	線號 AWG	構成 NO./mm	厚度 Thickness mm	外徑 O.D mm				
STRANDED 多芯線	UL 80°C	300V	32	7/0.080±0.008	0.38	1.00	±0.10	703	15	2000
			30	7/0.100±0.008	0.38	1.10	±0.10	397		
			28	7/0.127±0.008	0.38	1.20	±0.10	248		
			26	7/0.160±0.008	0.38	1.30	±0.10	152		
			24	11/0.160±0.008	0.38	1.45	±0.10	88.6		
			22	17/0.160±0.008	0.38	1.60	±0.10	62.5		
			20	21/0.180±0.008	0.38	1.85	±0.10	39.5		
			18	34/0.180±0.008	0.38	2.10	±0.10	24.4		
			16	26/0.254±0.010	0.38	2.40	±0.10	15.6		
			TOP-COATED (ATO) 先鍍後絞	CSA 90°C	300V	30	7/0.100±0.008	0.38		
28	7/0.127±0.008	0.38				1.20	±0.10	248.0		
26	7/0.160±0.008	0.38				1.30	±0.10	152.0		
24	7/0.200±0.008	0.38				1.45	±0.10	88.6		
22	7/0.254±0.010	0.38				1.60	±0.10	62.5		
20	7/0.320±0.010	0.38				1.85	±0.10	39.5		
SOLID (TA) 單芯線	CSA 90°C	300V	28	1/0.320±0.010	0.38	1.15	±0.10	326.9	15	2000
			26	1/0.404±0.010	0.38	1.25	±0.10	155		
			24	1/0.511±0.020	0.38	1.40	±0.10	92.4		
			22	1/0.643±0.020	0.38	1.55	±0.10	60.1		
			20	1/0.813±0.020	0.38	1.70	±0.10	37.0		
			18	1/1.020±0.030	0.38	1.96	±0.10	23.6		





**AVLV2.E108485
Appliance Wiring Material - Component**

Page Bottom

Appliance Wiring Material - Component

See General Information for Appliance Wiring Material - Component

E108485

Table of Recognized Styles							
Single-conductor, thermoplastic insulation.							
1007	1095	1227	1429	1571	1672	10070	10987
1010	1164	1283	1430	1577	1674	10109	11027
1011	1180	1285	1431	1581	1685	10198	11028
1013	1185	1316	1497	1584	1709	10362	11042
1015	1198	1330	1500	1589	1710	10368	11045
1028	1199	1331	1516	1591	1723	10369	11047
1032	1212	1332	1533	1592	1726	10800	
1061	1213	1333	1538	1617	1789	10981	
1080	1226	1371	1569	1618	10064	10982	
Multiple-conductor, thermoplastic insulation.							
2096	2476	2697	20005	20855	21099	21143	21458
2444	2547	2733	20080	21016	21100	21307	
2464	2555	2851	20276	21064	21101	21309	
2468	2562	2854	20850	21088	21118	21310	
Single-conductor, thermoset insulation.							
3122	3239	3275	3323	3385	3443	3587	3615
3132	3265	3289	3364	3386	3463	3590	3713
3135	3266	3302	3367	3398	3464	3610	
3173	3271	3321	3369	3406	3512	3613	
Multiple-conductor, thermoset insulation.							
4384	4478						

Marking: Company name, voltage rating, temperature rating, conductor size, conductor material if other than copper, and use.
Last Updated on 2014-06-25

[Questions?](#)

[Print this page](#)

[Terms of Use](#)

[Page Top](#)

© 2014 UL LLC

When the UL Leaf Mark is on the product, or when the word "Environment" is included in the UL Mark, please search the [UL Environment database](#) for additional information regarding this product's certification.

The appearance of a company's name or product in this database does not in itself assure that products so identified have been manufactured under UL's Follow-Up Service. Only those products bearing the UL Mark should be considered to be Certified and covered under UL's Follow-Up Service. Always look for the Mark on the product.

UL permits the reproduction of the material contained in the Online Certification Directory subject to the following conditions: 1. The Guide Information, Assemblies, Constructions, Designs, Systems, and/or Certifications (files) must be presented in their entirety and in a non-misleading manner, without any manipulation of the data (or drawings). 2. The statement "Reprinted from the Online Certifications Directory with permission from UL" must appear adjacent to the extracted material. In addition, the reprinted material must include a copyright notice in the following format: "© 2014 UL LLC".



CERTIFICATION RECORD

The company named below has been authorized by CSA to represent the products listed in this record as "CSA Certified" and to affix the CSA Mark to these products according to the terms and conditions of the CSA Service Agreement and applicable CSA program requirements (including additional markings).

NUMBR May 5, 1998 (Replaces: November 5, 1996)
CLASS 5835 01 (Label/Licensing Service)

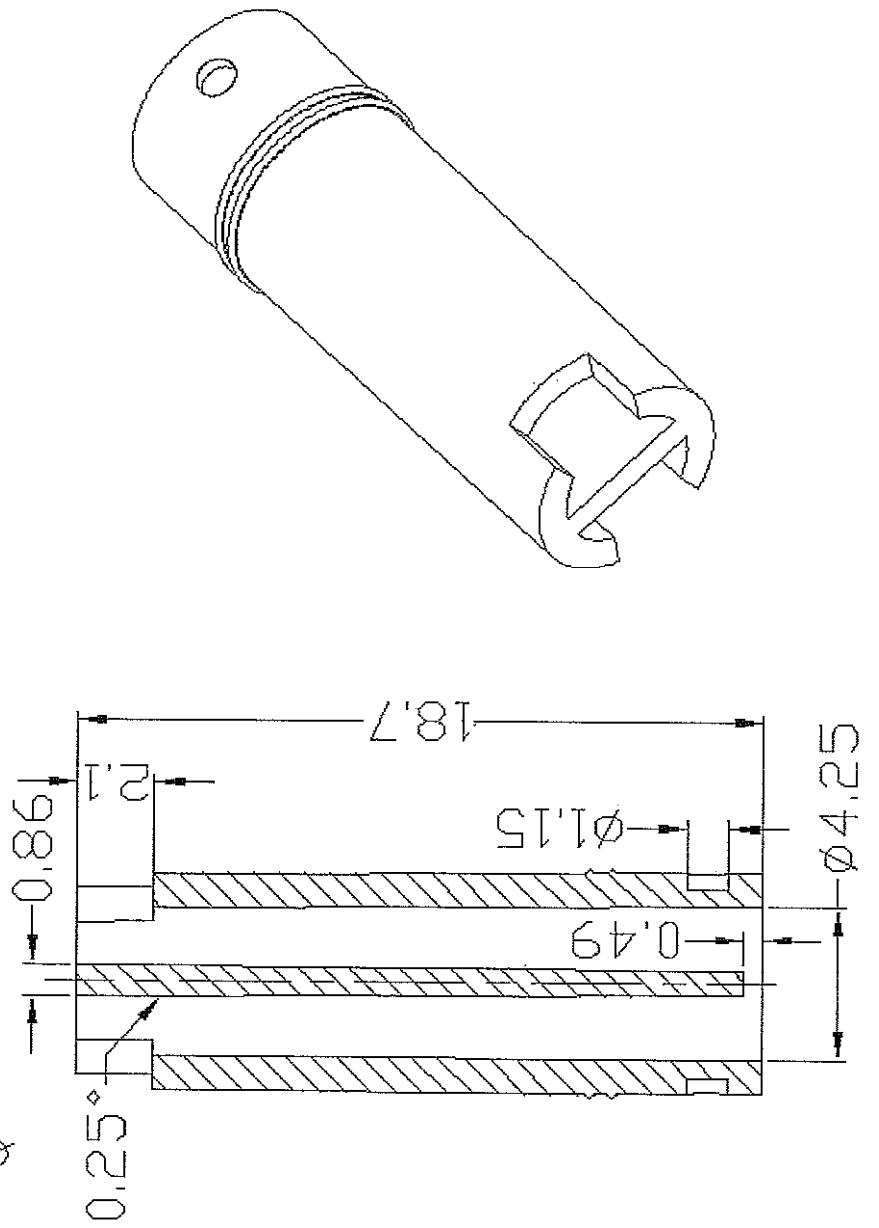
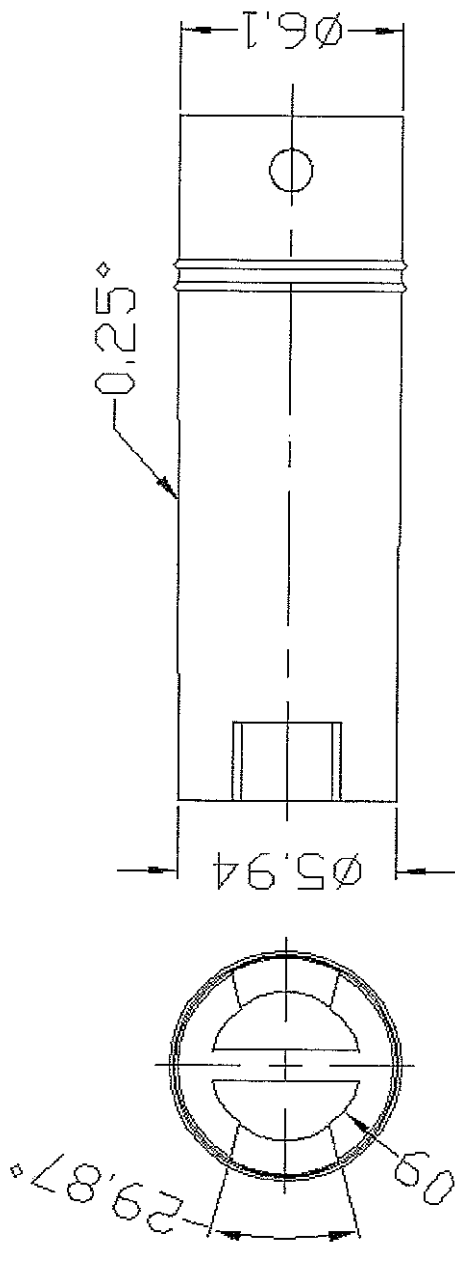
84687

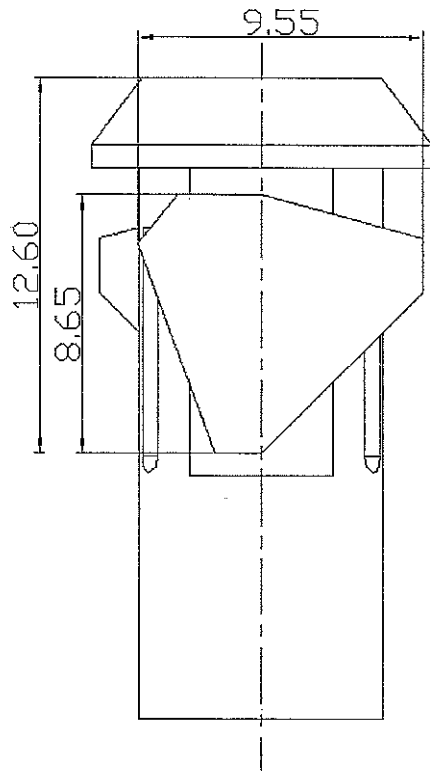
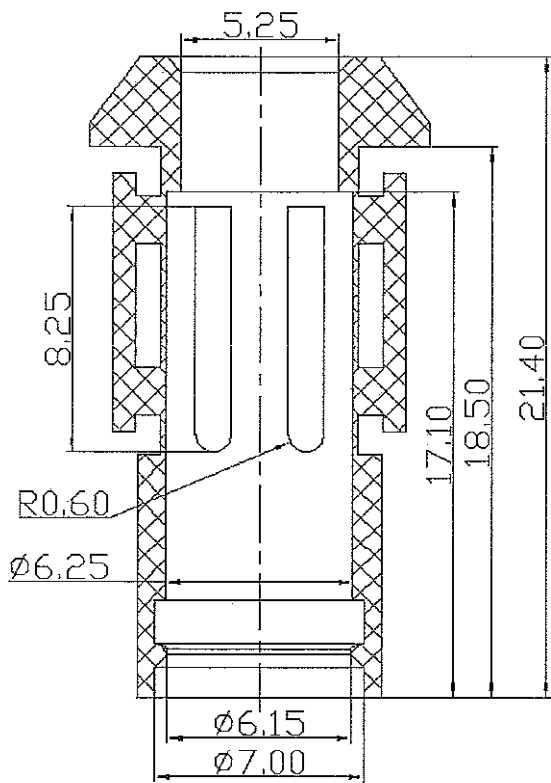
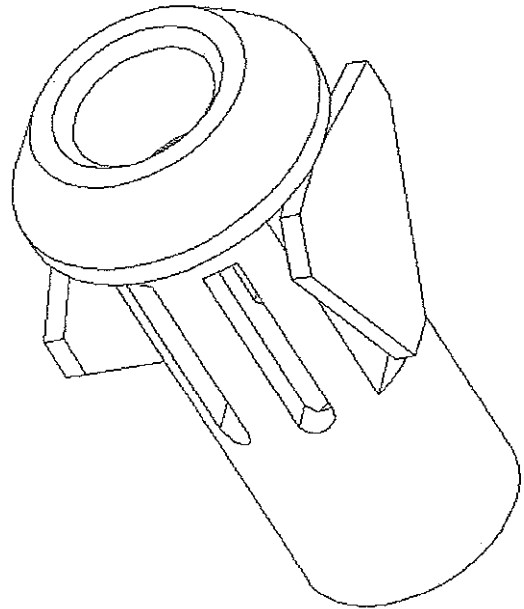
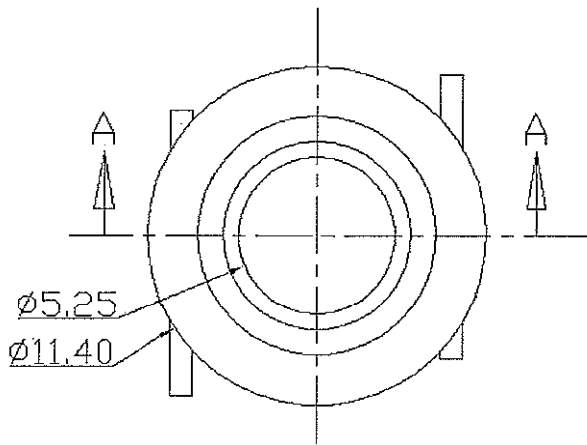
WIRES - Equipment

- Max temperature rating 105C: TEW (60C in oil).
- Max temperature rating 200C: SEW-1, SEW-2

Note: Types SEW-1 and SEW-2 may be dual marked as AWM (class 5851 01)

* * * * *





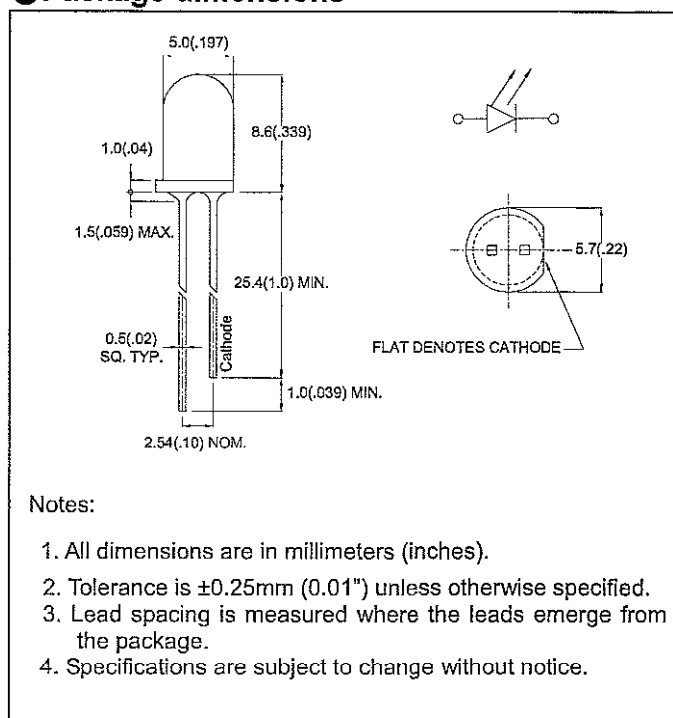
● **Features:**

1. Chip material: GaAsP/GaP
2. Emitted color : Hi-Eff Red
3. Lens Appearance : Red Diffused
4. Pulse Rate 2.4 Hz (VDD=5V)
5. Operating Voltage : 3V~12V (DC)
6. Easily be driven by TTL & C-MOS
circuit no external circuit needed
7. Long life solid state reliability.
8. This product don't contained restriction
substance, compliance RoHS standard.

● **Applications:**

1. TV set
2. Monitor
3. Telephone
4. Computer
5. Circuit board

● **Package dimensions**



● **Absolute maximum ratings(Ta=25°C)**

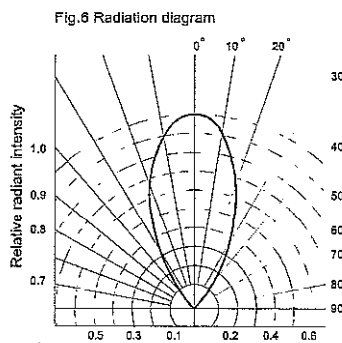
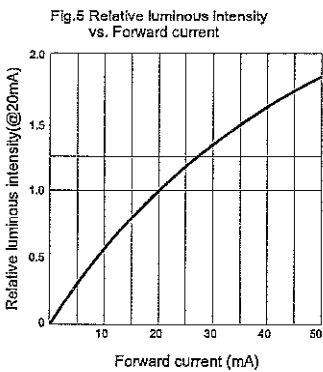
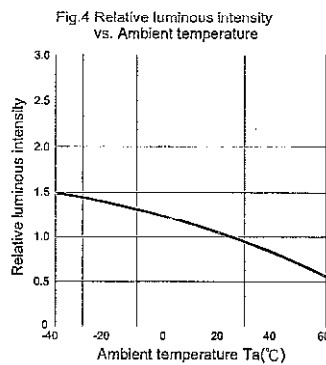
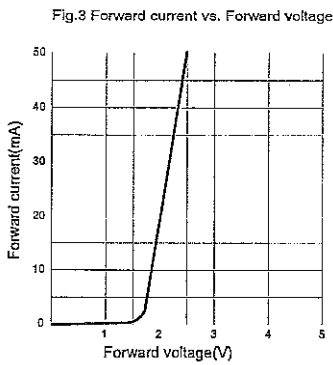
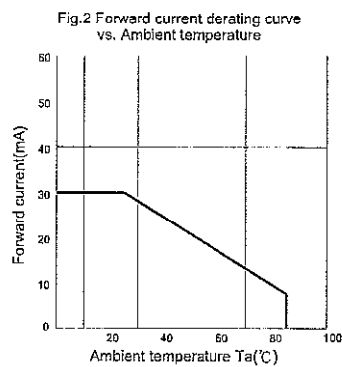
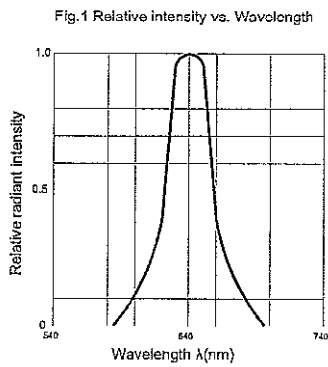
Parameter	Symbol	Rating	Unit
Operating Voltage	V_O	12(max)	V
Reverse Voltage	V_R	5(max)	V
Operating Temperature	T_{opr}	-40°C~85°C	
Storage Temperature	T_{stg}	-40°C~100°C	
Soldering Temperature	T_{sol}	260°C (for 5 seconds)	
Hand Soldering Temperature	T_{sol}	350°C max(for 3 seconds)	

* Condition for I_{FP} is pulse of 1/10 duty and 0.1msec width.

● Electrical and optical characteristics (Ta=25°C)

Parameter	Symbol	Condition	Min.	Typ.	Max.	Unit
Pulse Rate	Pd	VDD=5V	2.0	2.4	2.8	Hz
Luminous Intensity	Iv	I _F =20mA	-	15	-	mcd
Peak Wave Length	λ _p	I _F =20mA	-	640	-	nm
Dominant Wave Length	λ _d	I _F =20mA	617	-	638	nm
Spectral Line Half-width	Δλ	I _F =20mA	-	35	-	nm
Viewing Angle	2θ _{1/2}	I _F =20mA	-	50	-	deg

● Typical electro-optical characteristics curves

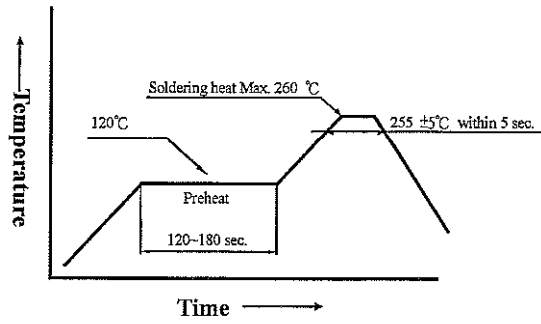


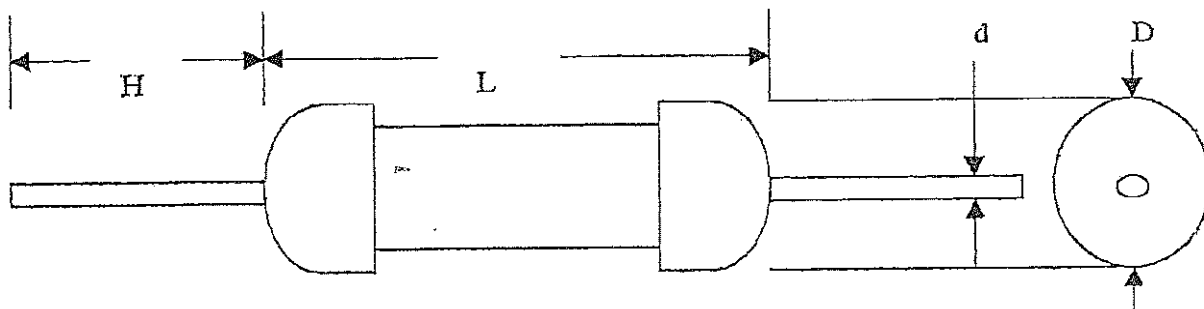
DIP soldering (Wave Soldering)

Preheating : 120°C, within 120~180 sec.

Operation heating : 255°C±5°C within 5 sec. 260°C (Max)

Gradual Cooling (Avoid quenching).





單位 m/m

TYPE	POWER	L	D	H	d
CR-12	1/16W 1/6W 1/8W	3.2 ± 0.3	1.5 ± 0.3	28 ± 3	0.48 ± 0.05
CR-25S	1/4W				
CR-25	1/4W	6.0 ± 0.5	2.3 ± 0.3	28 ± 3	0.56 ± 0.05
CR-33S	1/3W				
CR-50SS	1/2W				
CR-50	1/2W	9.0 ± 0.5	3.2 ± 0.5	28 ± 3	0.60 ± 0.05
CR-100S	1W	11 ± 1.0	4.5 ± 0.5	35 ± 3	0.80 ± 0.05
CR-100	1W				
CR-200S	2W				
CR-200	2W	15 ± 1.0	5.0 ± 0.5	35 ± 3	0.80 ± 0.05
CR-300S	3W	17 ± 1.0	6.0 ± 0.5	35 ± 3	0.80 ± 0.05
CR-300	3W				

表二